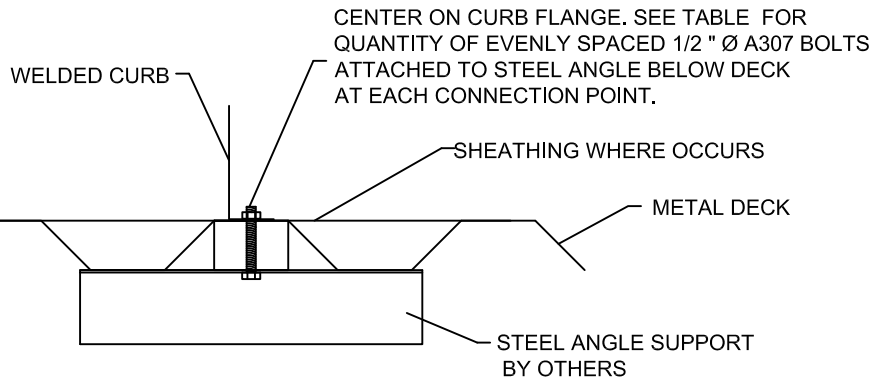


STEEL ATTACHMENT

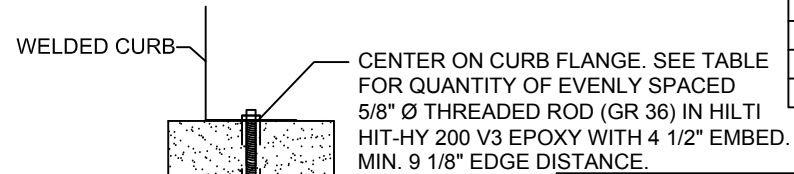


CURB	NO. OF ANCHORAGE BOLTS REQUIRED	
	LONG SIDE	SHORT SIDE
LXS	3 @ 19.25" O.C.	2 @ 23" O.C.
LXL	3 @ 19.25" O.C.	2 @ 33" O.C.
SUN3672	4 @ 21" O.C.	2 @ 27.25" O.C.
PRD3715	6 @ 14.28" O.C.	3 @ 20.75" O.C.
PRS	4 @ 20.46" O.C.	2 @ 31.13" O.C.
PRL	3 @ 36.13" O.C.	2 @ 44" O.C.
SLU180	4 @ 35.08" O.C.	3 @ 37" O.C.
SLM1830	5 @ 29.06" O.C.	4 @ 24.67" O.C.
SAV1518	4 @ 37.38" O.C.	3 @ 35.56" O.C.
SAV2025	4 @ 42.04" O.C.	3 @ 35.56" O.C.
SAV28	5 @ 35.63" O.C.	3 @ 35.56" O.C.

ASSUMES:

CONC SLAB
 $f_c = 4000\text{PSI}$ MINIMUM
 6" MIN THICKNESS
 NORMAL WEIGHT CONCRETE

CONCRETE ATTACHMENT



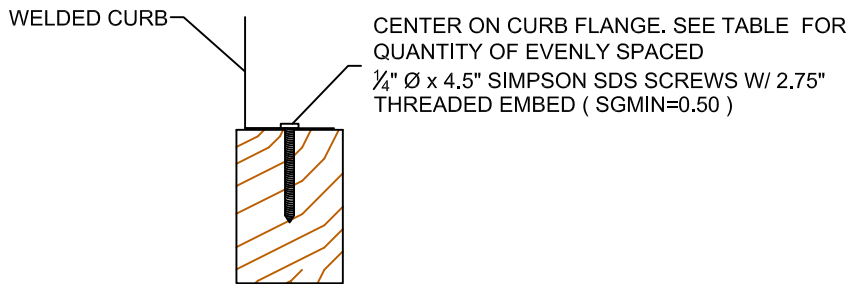
CURB	NO. OF ANCHORAGE BOLTS REQUIRED	
	LONG SIDE	SHORT SIDE
LXS	7 @ 6.42" O.C.	4 @ 7.67" O.C.
LXL	7 @ 6.42" O.C.	5 @ 8.25" O.C.
SUN3672	9 @ 7.88" O.C.	4 @ 9.08" O.C.
PRD3715	12 @ 6.49" O.C.	6 @ 8.30" O.C.
PRS	10 @ 6.82" O.C.	5 @ 7.78" O.C.
PRL	11 @ 7.23" O.C.	6 @ 8.8" O.C.
SLU180	12 @ 9.57" O.C.	8 @ 10.57" O.C.
SLM1830	18 @ 6.84" O.C.	11 @ 7.4" O.C.
SAV1518	12 @ 10.19" O.C.	6 @ 14.23" O.C.
SAV2025	14 @ 14.97" O.C.	6 @ 14.23" O.C.
SAV28	14 @ 10.96" O.C.	6 @ 14.23" O.C.

* SIX INCHES FROM EACH CORNER EVENLY SPACED.
 ** CENTERED.

ROOF ANCHORAGE DETAIL
CBISC Series
LXS
LXL
SUN3672
PRD3715
PRS
PRL
SLU180
SLM1830
SAV1518
SAV2025
SAV28

Meets seismic requirements for the following codes:
 CBC 2019
 IBC 2018

WOOD ATTACHMENT



FOUR INCHES FROM EACH CORNER EVENLY SPACED

CURB	NO. OF ANCHORAGE SCREWS REQUIRED	
	LONG SIDE	SHORT SIDE
LXS	7 @ 7.08" O.C.	5 @ 6.75" O.C.
LXL	7 @ 7.08" O.C.	7 @ 6.17" O.C.
SUN3672	9 @ 8.38" O.C.	5 @ 7.81" O.C.
PRD3715	15 @ 5.38" O.C.	10 @ 5.06" O.C.
PRS	10 @ 7.26" O.C.	6 @ 7.03" O.C.
PRL	12 @ 6.93" O.C.	8 @ 6.86" O.C.
SLU180	14 @ 8.4" O.C.	10 @ 8.67" O.C.
SLM1830	19 @ 6.68" O.C.	13 @ 6.5" O.C.
SAV1518	13 @ 9.68" O.C.	9 @ 9.39" O.C.
SAV2025	15 @ 9.29" O.C.	9 @ 9.39" O.C.
SAV28	16 @ 9.77" O.C.	9 @ 9.39" O.C.



3847 WABASH DRIVE
 MIRA LOMA, CA 91752
 PHONE (951) 685-1101
 FAX (619) 872-9799

SUBMITTED TO: _____
 COMPANY: _____
 JOB NAME: _____
 EQUIPMENT: _____
 NOTES: _____

FORM NO:
 CB-62

DATE:
 10/17/2022

REV:
 2

DRAWN BY:
 FMM