

For wood, concrete and steel attachment see Roof Anchorage Detail, Form No. CB-62.

Welded Isolation springs housing are standard. For bolted spring housing, neoprene pads and spring cups see Weldment and Bolting Detail, Form No. CB-61

## STRUCTURALLY CALCULATED VIBRATION ISOLATION ROOF CURB FOR LX SERIES SMALL CHASSIS UNITS

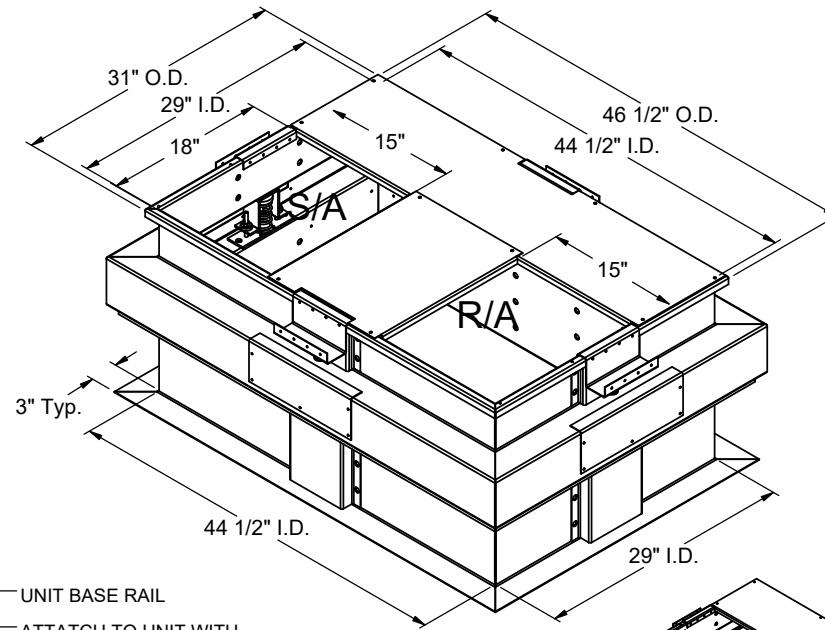
PROVENT P/N	A	B	EST. WEIGHT
CBISCLXS18*	8"	18"	180 Lbs.
CBISCLXS21**	11"	21"	195 Lbs.
CBISCLXS24**	14"	24"	210 Lbs.

\*\*Note: Spring configuration must be added to part number at time of order

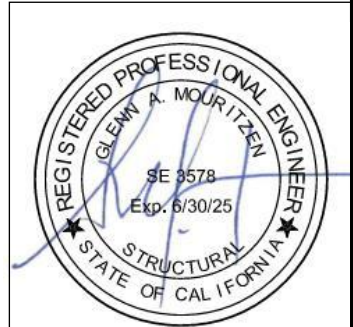
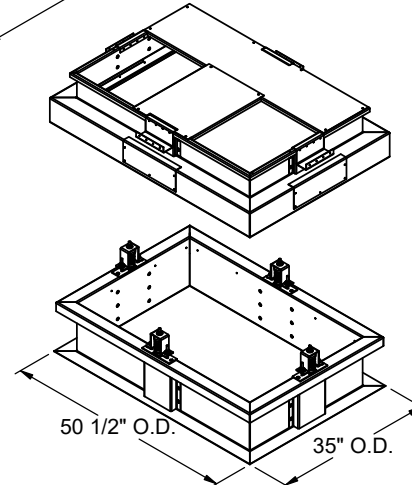
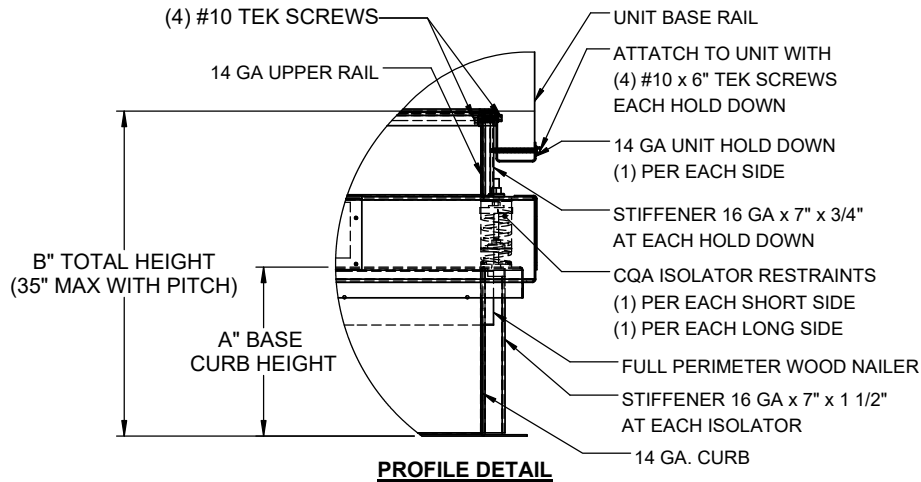
Weight of upper portion supported by spring isolators= 111 Lbs.

Meets seismic requirements for the following codes:  
CBC 2022  
IBC 2021

P\*\*\*A CABINET



- FEATURES**
- Roof curbs sides and ends are 14 ga.
  - Fully welded construction.
  - Gasketing package provided.
  - Heat treated wood nailer provided.
  - Insulated deck pans provided.
  - Pitched curbs and taller curbs are available.
  - CalDyn OSHPd pre-approved seismic restraints. (OPM-0401-13), (CQA).
- NOTES**
- Attach ductwork to roof curb. Flanges of duct rest on top of the curb, Support ductwork below the curb.
  - Thru the curb utilities are available. Contact your York distributor or Provent directly.



3847 WABASH DRIVE  
MIRA LOMA, CA 91752  
PHONE (951) 685-1101  
FAX (619) 872-9799

SUBMITTED TO: \_\_\_\_\_  
COMPANY: \_\_\_\_\_  
JOB NAME: \_\_\_\_\_  
EQUIPMENT: \_\_\_\_\_  
NOTES: \_\_\_\_\_

FORM NO:  
CBISC-01  
DATE:  
7/28/2023

PART NUMBER:  
-  
REV:  
5  
DRAWN BY:  
JG