

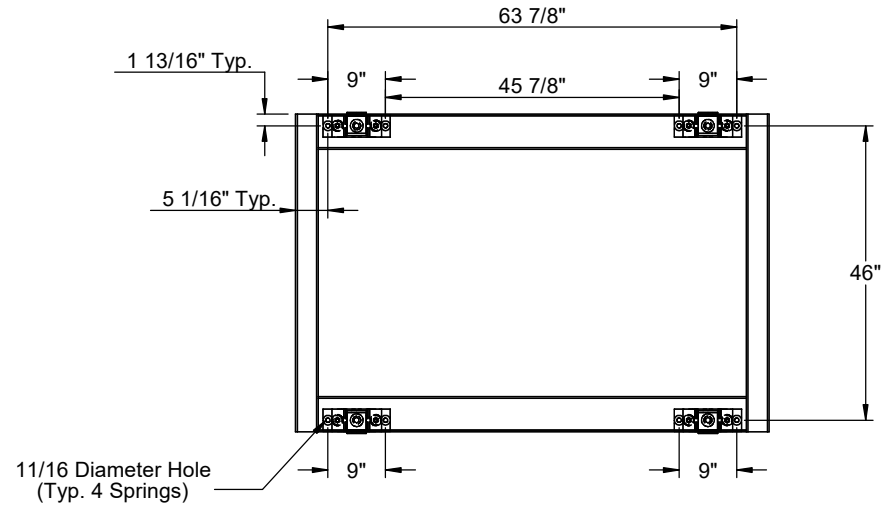
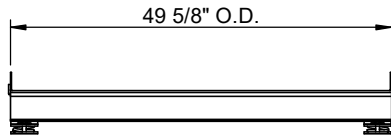
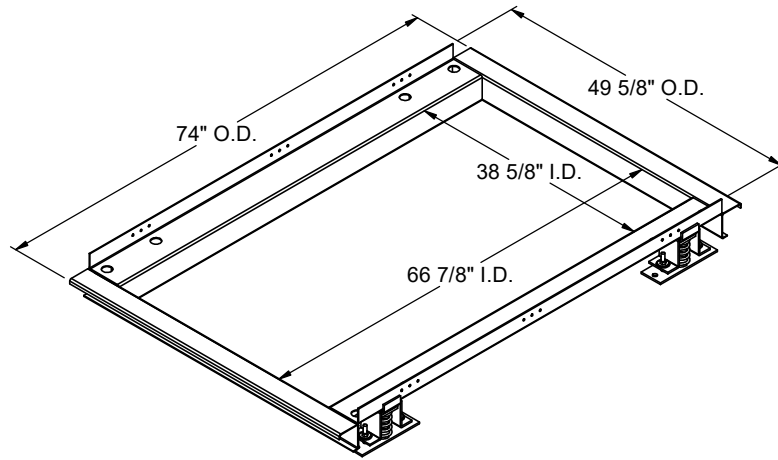
FEATURES

- Fully welded construction.
- 10 Ga. galvanized support frame.
- Estimated weight - 164 Lbs.
- Gasketing package provided.

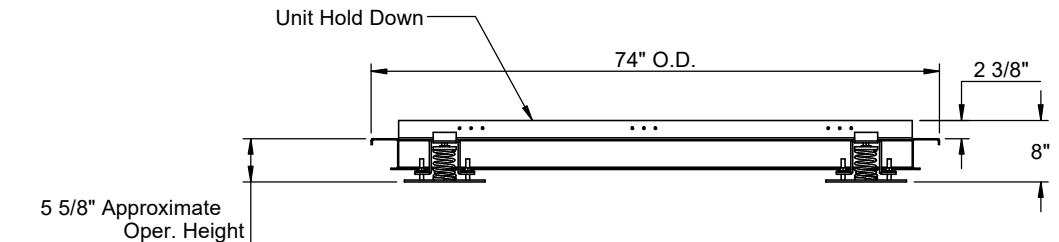
VIBRATION ISOLATION FRAME FOR HORIZONTAL YORK UNITS - LOW PROFILE

ZX, KX04-07; XX, WX, ZX, KXA7
ZY, ZQ, XY, XQ, ZL, KY, KQ, WY, WQ, KL04-06

Unit Model	Power Exhaust?	Provent P/N
ZY, XY, XQ, ZL04; ZQ, KQ04-05 KY, WY, WQ, KL04; ZX, KX04-06	NO	CBISHPRS1
ZY, XY, XQ, ZL05-06; ZQ, KQ06 KY, WY, WQ, KL05-06; ZX, KX07 XX, WX, ZX, KXA7	NO	CBISHPRS2
ZY, XY, XQ, ZL04; ZQ, KQ04-05 KY, WY, WQ, KL04; ZX, KX04-06	YES	CBISHPRSP1
ZY, XY, XQ, ZL05-06; ZQ, KQ06 KY, WY, WQ, KL05-06; ZX, KX07 XX, WX, ZX, KXA7	YES	CBISHPRSP2



Anchorage Location Detail



3847 WABASH DR.
MIRA LOMA, CA 91752

PHONE (951) 685-1101
FAX (619) 872-9799

SUBMITTED TO: _____
COMPANY: _____
JOB NAME: _____
EQUIPMENT: _____
NOTES: _____

FORM NO:
CBISH-122

PART NUMBER:
CBISHPRS - SERIES

DATE:
1/13/2025

REV:
2

DRAWN BY:
CNG