

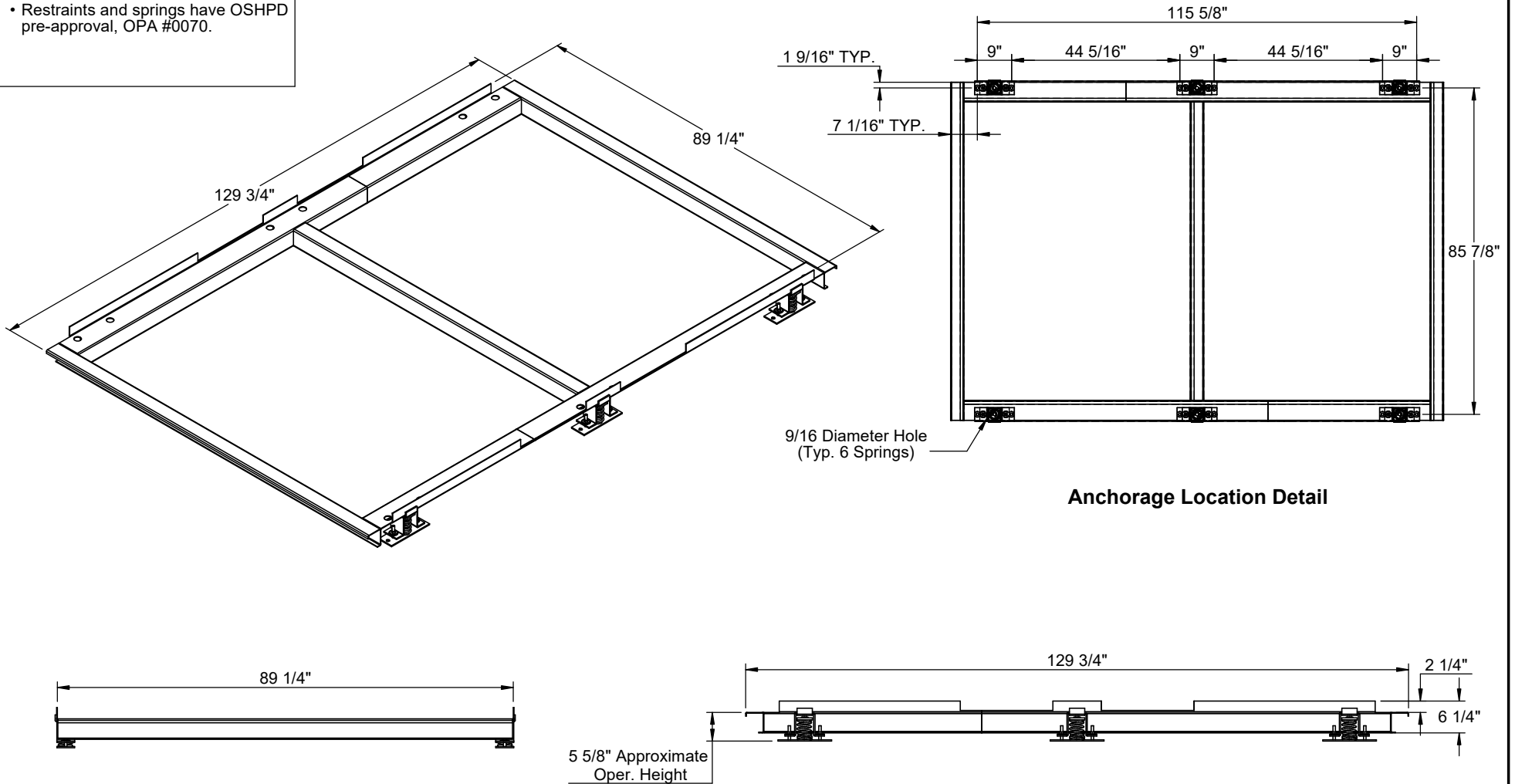
FEATURES

- Fully welded construction.
- 10 Ga. galvanized support frame.
- Gasketing package provided.
- Restraints and springs have OSHPD pre-approval, OPA #0070.

VIBRATION ISOLATION FRAME FOR HORIZONTAL YORK UNITS- LOW PROFILE

Provent P/N	Weight
CBISHSAV1518	291 lbs.

CHOICE AV15-18, AD15-18, HV13; AH15, AL15



Anchorage Location Detail



3847 WABASH DR.
MIRA LOMA, CA 91752

PHONE (951) 685-1101
FAX (619) 872-9799

SUBMITTED TO: _____
 COMPANY: _____
 JOB NAME: _____
 EQUIPMENT: _____
 NOTES: _____

FORM NO: _____
 -
 DATE: 8/25/2023

PART NUMBER: CBISHSAV1518
 REV: 1
 DRAWN BY: JG