



INSTALLATION INSTRUCTIONS CBKDPRD3715 Series Roof Curbs

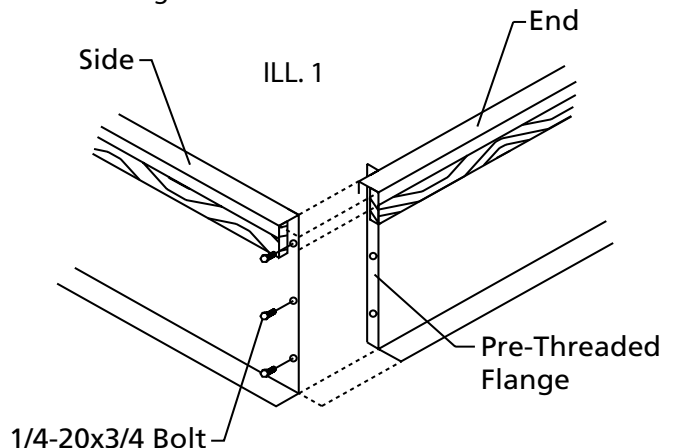
ProVent roof curbs have been designed to optimize structural code building requirements while at the same time minimizing the installation procedure. Please read these instructions carefully before beginning. For building code conforming curbs, a kit must be added prior to setting the unit on the curb. Contact your local distributor of ProVent accessories or contact us directly.

Calculated Kit for CBKDPRD3715 Series	Height
KDKITPRD371508	8"
KDKITPRD371511	11"
KDKITPRD371514	14"

ROOF CURB LIST OF MATERIALS							
Roof Curb Part No.	Height	Bolt 1/4-20x3/4 Grade 8	Sides	Ends	Duct Support	Deck Pan	Gasket 1-1/2" x 1/4" x 10' 1-1/2" x 1/4" x 23'
CBKDPRD371508	8"	13	2	2	3	3	33 ft.
CBKDPRD371511	11"						
CBKDPRD371514	14"						
CBKDPRD371524	24"						

Instructions

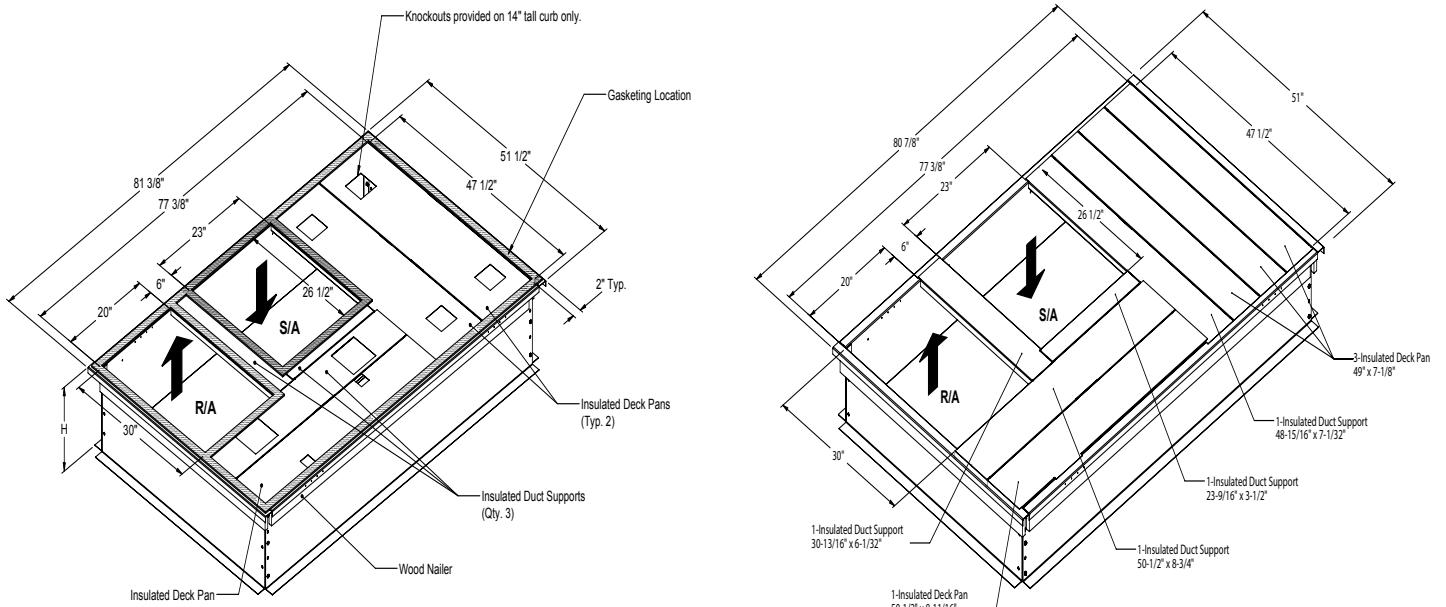
1. Remove curb from package.
2. Bring together (1) curb side and (1) curb end. Insert 1/4-20x3/4 bolts through pre-punched holes and screw to threaded insert. Repeat for all (4) corners. (ILL. 1) Note: Hand screw all bolts into pre-threaded inserts before tightening (per corner).
3. Set (2) deck pans at compressor end of curb. (Deck pans 49" in total length.) The duct support and deck pan measuring 50-1/2" are set behind the supply air and return air openings of curb. Refer to ILL. 2 for positioning.
4. The duct support separating supply and return openings is set in position by slot in length of duct support running behind the openings.
5. Square up curb by measuring diagonally across curb corners. Set curb in place over roof opening.
6. Manufacture duct and drop into curb supply air and return air openings. Install gasketing around top perimeter of curb and around top duct flanges.



Roof Curb Assembly

ILL. 2

Factory 14' curb



Roof Curb Installation

1. Place curb over specified opening size in roof.
2. Insulate and add cant strip to curb (field provided). Follow required roof installation or acceptable procedures for apply roofing. Be sure roofing material extends up to wood nailer and is secured under proper counter flashing. (See illustration below).

