

FEATURES

- Roof curb perimeter made of galvanized steel, 18 ga. (A < 14") and 16 ga. (A ≥ 14").
- Gasketing package provided.
- Heat treated wood nailer provided.
- Corner flanges are pre-threaded for easy bolt on assembly.
- Insulated deck pans provided.
- Pitched, adjustable pitch/adjustable height, welded, different height, isolation and calculated curbs are available.

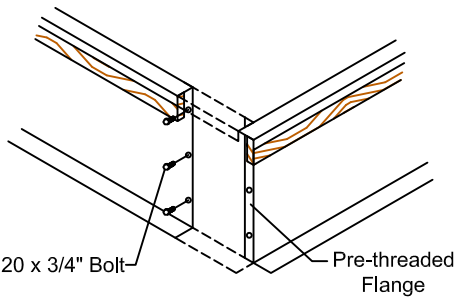
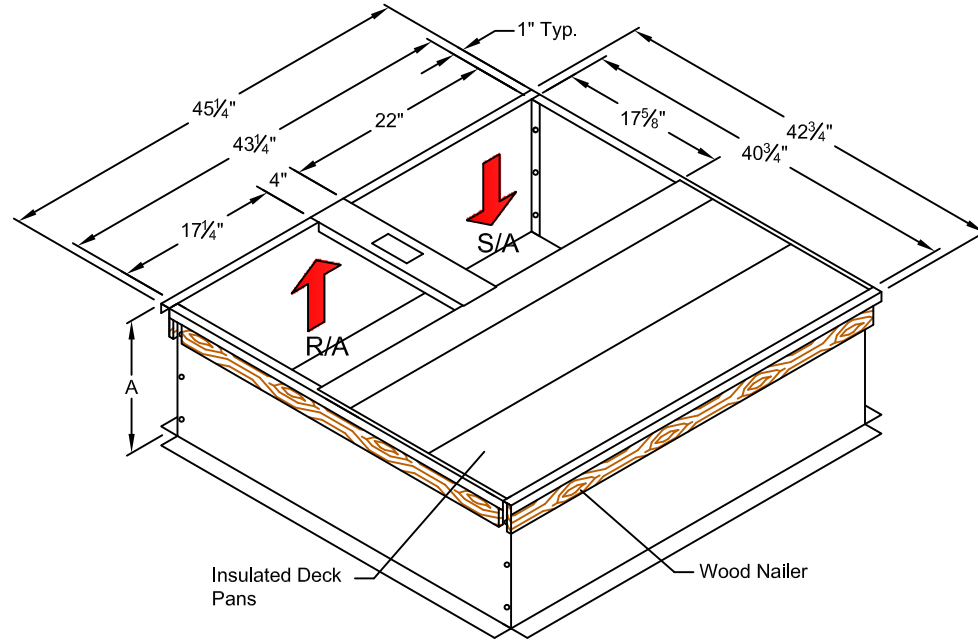
NOTES

- Attach ductwork to roof curb. Flanges of duct rest on top of curb. Support ductwork below the curb.
- Calculated curb kit only needs attachment from unit to curb. (Curb corner assembly already conforms.)
- Thru the curbs utilities are available. Contact your York distributor or Provent directly.

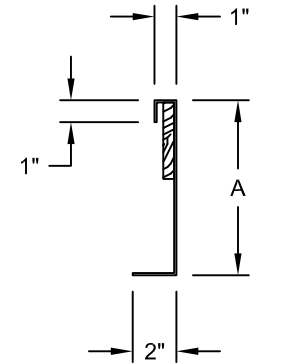
KNOCK-DOWN ROOF CURBS FOR YORK UNITS

DEB/DNZ/DEZ/DNP/DEM/BHH/BHA/BHZ/BHP 018-060:
DEX/DNH/DEH/DNA/DNY/DNX/BHX 024-060: DEY 060

ProVent P/N	A	WEIGHT	SEISMIC KIT P/N
CBKDAFF186008	8"	55 Lbs	KDKITAFF1860
CBKDAFF186011	11"	68 Lbs	
CBKDAFF186014	14"	82 Lbs	
CBKDAFF186024	24"	115 Lbs	When conforming to CBC 2013 and IBC 2012, include optional seismic kit.
			Available on 8" - 14".



CORNER DETAIL



CROSS SECTION DETAIL



3847 WABASH DRIVE
 MIRA LOMA, CA 91752
 PHONE (951) 685-1101
 FAX (619) 498-9247

SUBMITTED TO: _____
 COMPANY: _____
 JOB NAME: _____
 EQUIPMENT: _____
 NOTES: _____

FORM NO:
 CBKD-101
 DATE:
 05/18/15

PART NUMBER:
 CBKDAFF1860 SERIES
 DRAWN BY:
 CNG