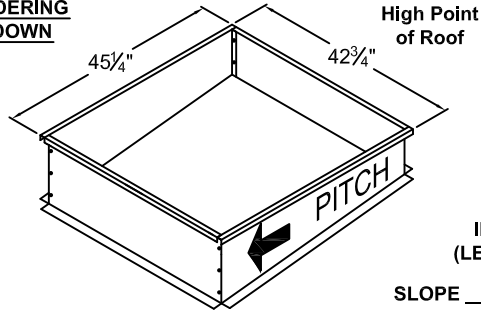


NOTES

- Select your proper pitch configuration. Provide slope (inches per foot) and quantity for each illustration required.
- When ordering as a knock down roof curb, supply and return air openings can be configured either way. Example: Rotate duct supports and deck pans (if applicable) 180°.
- Please contact ProVent for assistance if needed.

PITCHED ROOF CURB ILLUSTRATION FORM FOR AFF SERIES CURBS

**WHEN ORDERING
KNOCK DOWN**

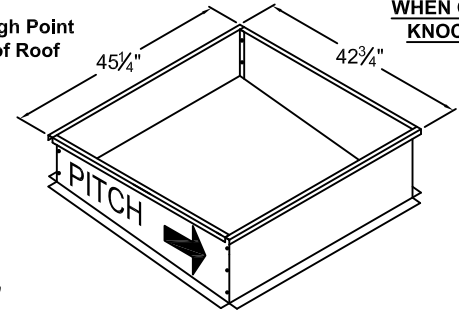


High Point
of Roof

ILL. L
(LENGTH)

SLOPE ____ IN 12"
Qty ____

High Point
of Roof

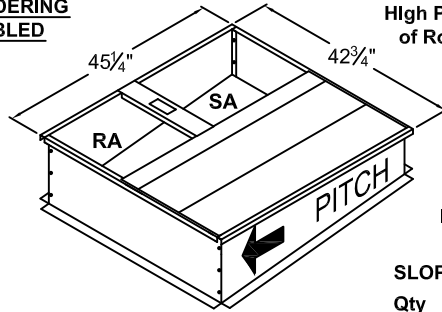


**WHEN ORDERING
KNOCK DOWN**

ILL. W
(WIDTH)

SLOPE ____ IN 12"
Qty ____

**WHEN ORDERING
ASSEMBLED**

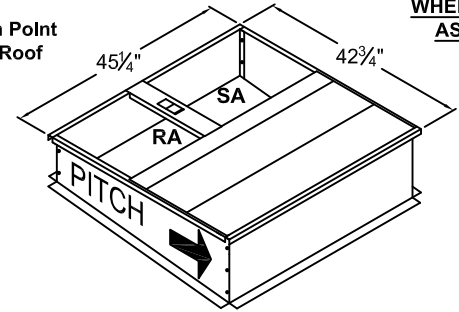


High Point
of Roof

ILL. L1

SLOPE ____ IN 12"
Qty ____

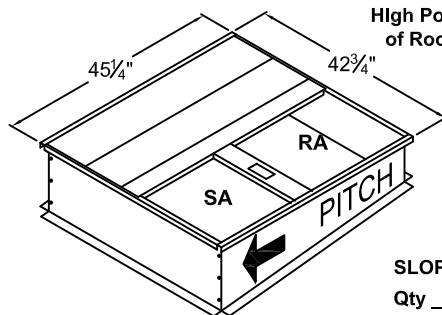
High Point
of Roof



**WHEN ORDERING
ASSEMBLED**

ILL. W1

SLOPE ____ IN 12"
Qty ____

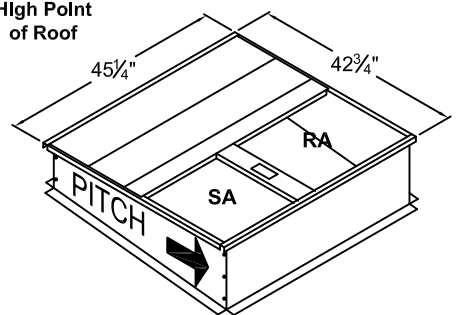


High Point
of Roof

ILL. L2

SLOPE ____ IN 12"
Qty ____

High Point
of Roof



ILL. W2

SLOPE ____ IN 12"
Qty ____



3847 WABASH DRIVE
MIRA LOMA, CA 91752

PHONE (951) 685-1101
FAX (619) 498-9247

SUBMITTED TO: _____
COMPANY: _____
JOB NAME: _____
EQUIPMENT: _____
NOTES: _____

FORM NO:
CBKD-126

DATE:
09/04/15

PART NUMBER:
AFF SERIES

REV:
1

DRAWN BY:
FMM