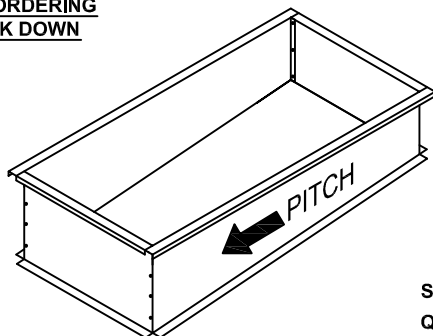


**NOTES**

- Select your proper pitch configuration. Provide slope (inches per foot) and quantity for each illustration required.
- When ordering as a knock down roof curb, supply and return air openings can be configured either way. Example: Rotate duct supports and deck pans (if applicable) 180°.
- Please contact ProVent for assistance if needed.

**PITCHED ROOF CURB ILLUSTRATION FORM FOR SUN AND PRD SERIES CURBS**

**WHEN ORDERING  
KNOCK DOWN**



High Point  
of Roof

ILL. L  
(LENGTH)

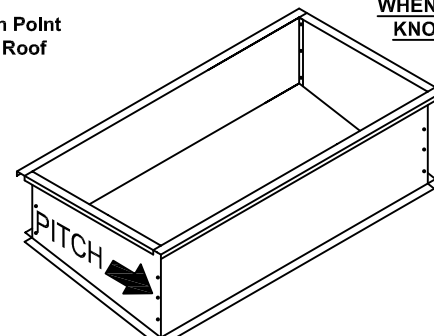
SLOPE \_\_\_\_ IN 12"  
Qty \_\_\_\_

High Point  
of Roof

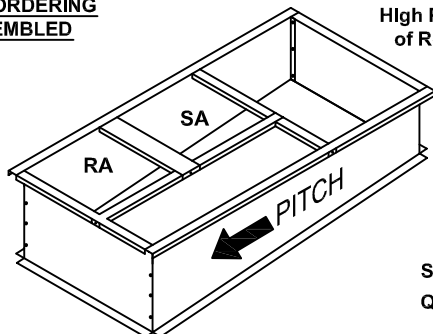
ILL. W  
(WIDTH)

SLOPE \_\_\_\_ IN 12"  
Qty \_\_\_\_

**WHEN ORDERING  
KNOCK DOWN**



**WHEN ORDERING  
ASSEMBLED**

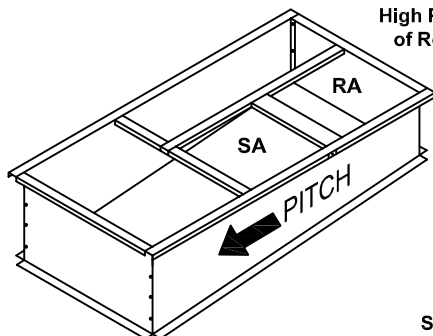


High Point  
of Roof

ILL. L1

SLOPE \_\_\_\_ IN 12"  
Qty \_\_\_\_

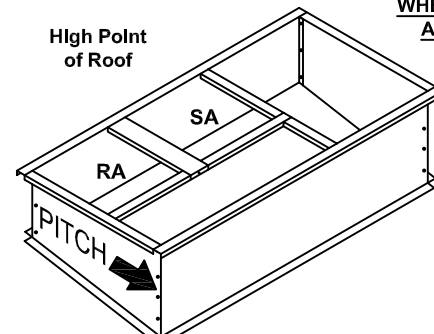
High Point  
of Roof



ILL. L2

SLOPE \_\_\_\_ IN 12"  
Qty \_\_\_\_

**WHEN ORDERING  
ASSEMBLED**

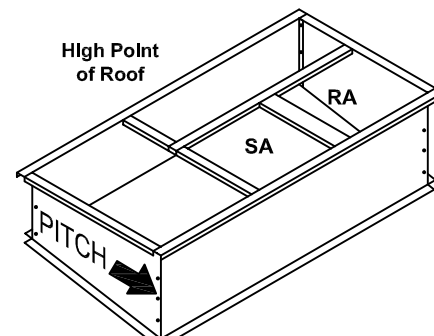


High Point  
of Roof

ILL. W1

SLOPE \_\_\_\_ IN 12"  
Qty \_\_\_\_

High Point  
of Roof



ILL. W2

SLOPE \_\_\_\_ IN 12"  
Qty \_\_\_\_



3847 WABASH DRIVE  
MIRA LOMA, CA 91752

PHONE (951) 685-1101  
FAX (619) 498-9247

SUBMITTED TO: \_\_\_\_\_  
COMPANY: \_\_\_\_\_  
JOB NAME: \_\_\_\_\_  
EQUIPMENT: \_\_\_\_\_  
NOTES: \_\_\_\_\_

FORM NO:  
CBKD-127

DATE:  
9/4/15

PART NUMBER:  
SUN & PRD SERIES

REV:  
2

DRAWN BY:  
JG