



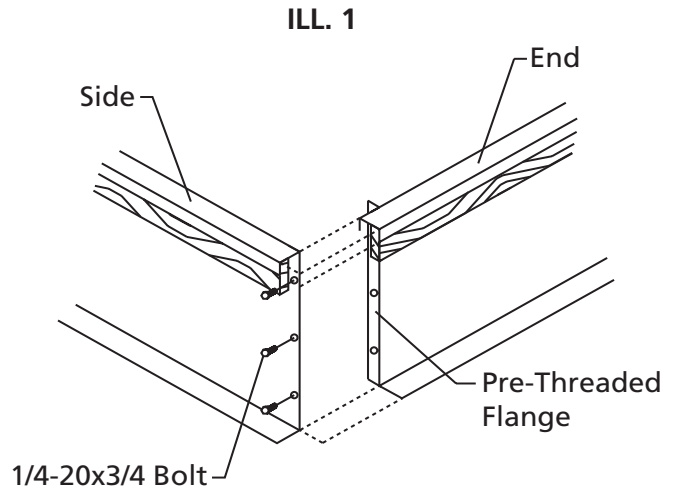
## INSTALLATION INSTRUCTIONS CBKDSLM1830 Series Roof Curbs

ProVent roof curbs have been designed to optimize structural code building requirements while at the same time minimizing the installation procedure. Please read these instructions carefully before beginning. For building code conforming curbs, a kit must be added prior to setting the unit on the curb. Contact your local distributor of ProVent accessories or contact us directly.

ROOF CURB LIST OF MATERIALS						
Roof Curb Part No.	Height	Bolt 1/4-20x3/4 Grade 8	Sides	Ends	Duct Support	Gasket (1) 1-1/2" x 1/4" x 10' (2) 1-1/2" x 1/4" x 23'
CBKDSLM183008	8"	9	2	2	5	56 ft.
CBKDSLM183011	11"	13				
CBKDSLM183014	14"					

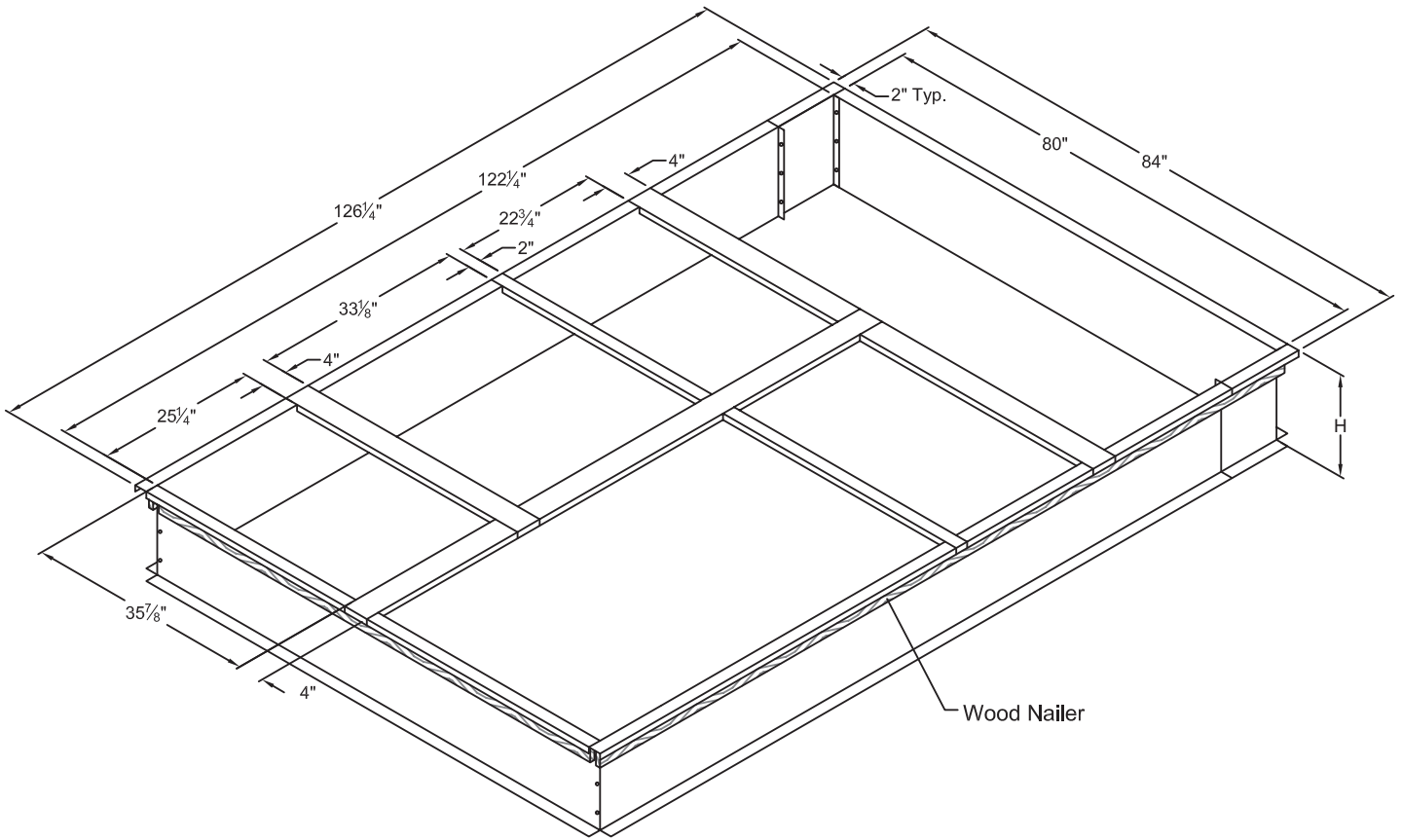
### Instructions

1. Remove curb from package.
2. Bring together (1) curb side and (1) curb end. Insert 1/4-20x3/4 bolts through pre-punched holes and screw to threaded insert. Repeat for all (4) corners. **(ILL. 1) Note:** Hand screw all bolts into pre-threaded inserts before tightening (per corner).
3. Install duct supports as shown in ILL. 2.
4. Square up curb by measuring diagonally across curb corners. Set curb in place over roof opening.
5. Manufacture duct and drop into curb supply air and return air openings. Install gasketing around top perimeter of curb and around top duct flanges.



# Roof Curb Assembly

ILL. 2



## Roof Curb Installation

1. Place curb over specified opening size in roof.
2. Insulate and add cant strip to curb (field provided). Follow required roof installation or acceptable procedures for apply roofing. Be sure roofing material extends up to wood nailer and is secured under proper counter flashing. (See illustration below.)

