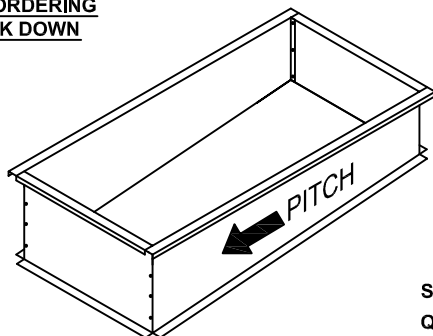


**NOTES**

- Select your proper pitch configuration. Provide slope (inches per foot) and quantity for each illustration required.
- When ordering as a knock down roof curb, supply and return air openings can be configured either way. Example: Rotate duct supports and deck pans (if applicable) 180°.
- Please contact ProVent for assistance if needed.

**PITCHED ROOF CURB ILLUSTRATION FORM FOR PRS AND PRL SERIES CURBS**

WHEN ORDERING KNOCK DOWN

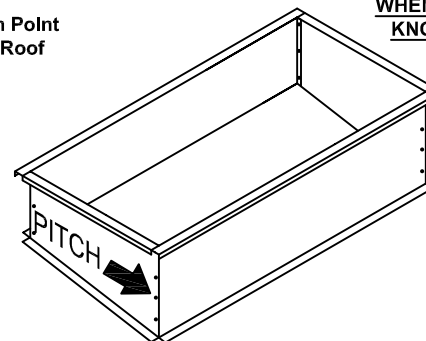


High Point of Roof

ILL. L (LENGTH)

SLOPE \_\_\_\_ IN 12"  
Qty \_\_\_\_

High Point of Roof

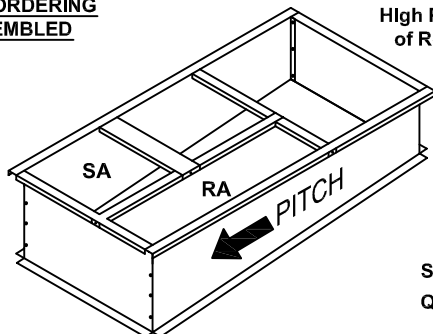


WHEN ORDERING KNOCK DOWN

ILL. W (WIDTH)

SLOPE \_\_\_\_ IN 12"  
Qty \_\_\_\_

WHEN ORDERING ASSEMBLED

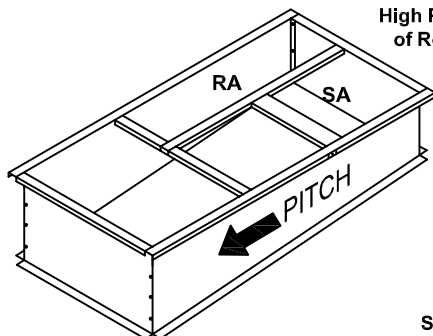


High Point of Roof

ILL. L1

SLOPE \_\_\_\_ IN 12"  
Qty \_\_\_\_

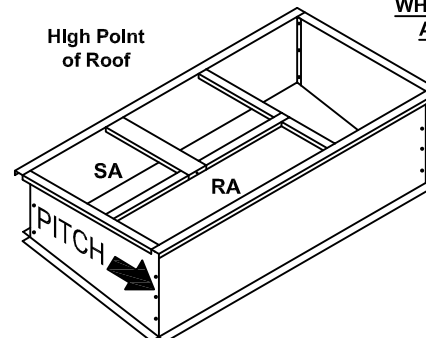
High Point of Roof



ILL. L2

SLOPE \_\_\_\_ IN 12"  
Qty \_\_\_\_

High Point of Roof

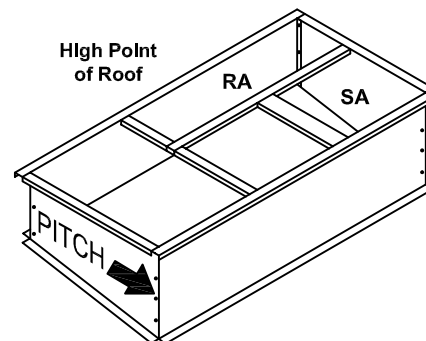


WHEN ORDERING ASSEMBLED

ILL. W1

SLOPE \_\_\_\_ IN 12"  
Qty \_\_\_\_

High Point of Roof



ILL. W2

SLOPE \_\_\_\_ IN 12"  
Qty \_\_\_\_



3847 WABASH DRIVE  
MIRA LOMA, CA 91752

PHONE (619) 498-9246  
FAX (619) 498-9247

SUBMITTED TO: \_\_\_\_\_  
COMPANY: \_\_\_\_\_  
JOB NAME: \_\_\_\_\_  
EQUIPMENT: \_\_\_\_\_  
NOTES: \_\_\_\_\_

FORM NO:  
CBKD-144

DATE:  
9/4/15

PART NUMBER:  
PRS & PRL SERIES

REV:  
1

DRAWN BY:  
JG