

- FEATURES**
- Roof curb perimeter made of galvanized steel.
  - Gasketing package provided.
  - Heat treated wood nailer provided.
  - Corner flanges are pre-threaded for easy bolt on assembly.
  - Pitched, adjustable pitch/adjustable height, welded, different height, isolation and calculated curbs are available.

- NOTES**
- Attach ductwork to roof curb. Flanges of duct rest on top of the curb. Support ductwork below the curb.

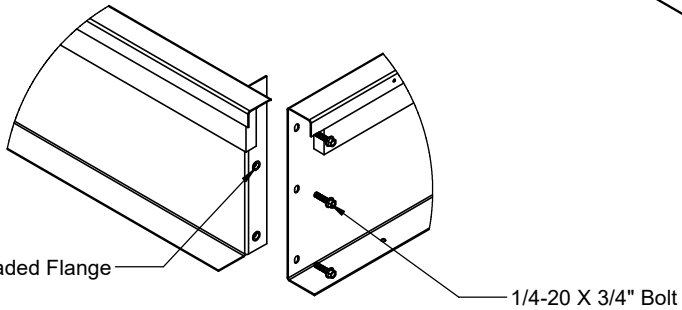
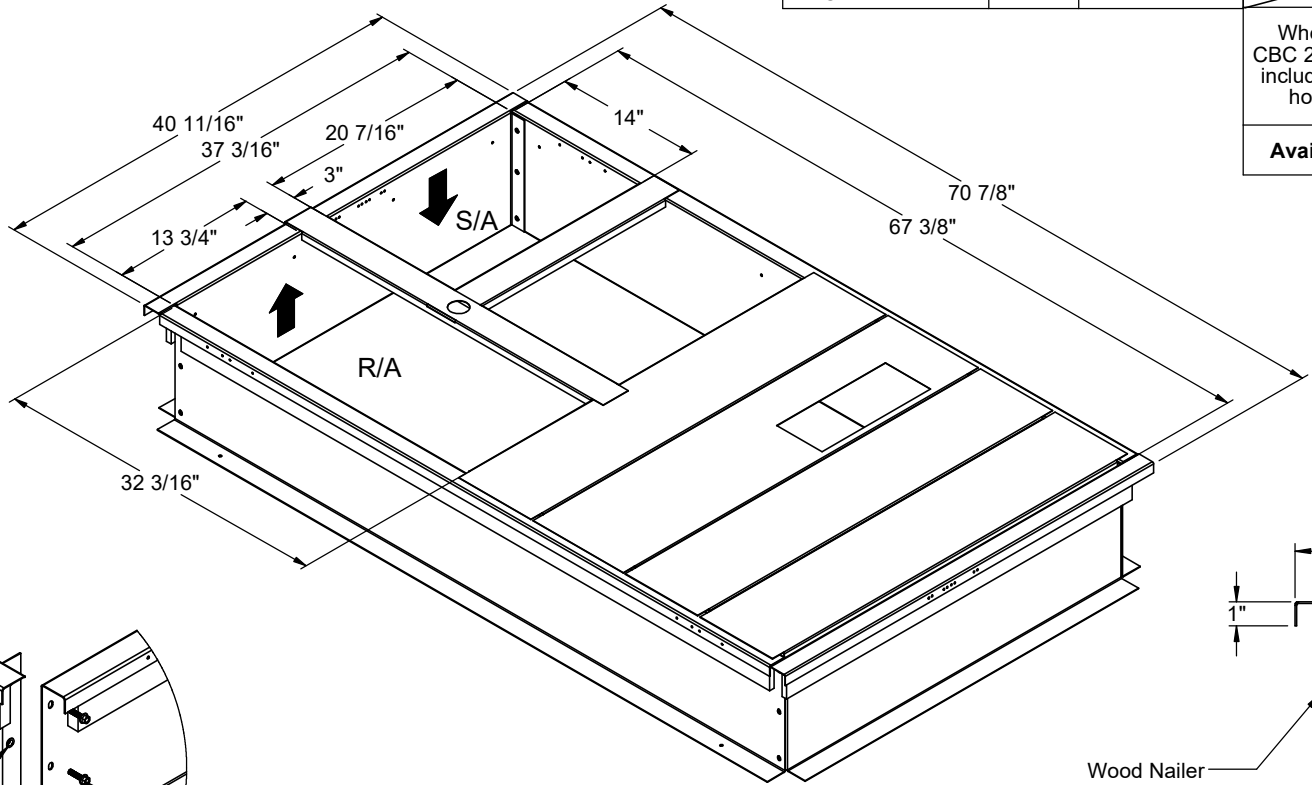
**KNOCK-DOWN ROOF CURBS FOR YORK UNITS**  
**ZY, ZQ, XY, XQ, ZL04-06; ZX04-07; XXA7, ZXA7**  
**KY, KQ, WY, WQ, KL04-06; KX04-07; WXA7, KXA7**

PROVENT P/N	A	EST. WEIGHT
CBKDPRS08	8"	83 Lbs.
CBKDPRS11	11"	89 Lbs.
CBKDPRS14	14"	105 Lbs.
CBKDPRS18	18"	118 Lbs.
CBKDPRS24	24"	144 Lbs.

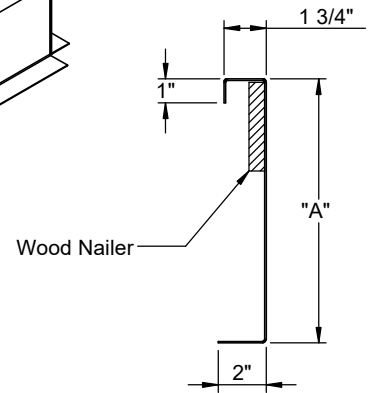
**SEISMIC CLIP KIT P/N**  
 KDKITPRS

When conforming to CBC 2022 and IBC 2021, include optional seismic hold down clip kit.

**Available on 8" - 14"**



**CORNER DETAIL**



**CROSS SECTION DETAIL**



**3847 WABASH DR.**  
**MIRA LOMA, CA 91752**

**PHONE (951) 685-1101**  
**FAX (619) 872-9799**

SUBMITTED TO: \_\_\_\_\_  
 COMPANY: \_\_\_\_\_  
 JOB NAME: \_\_\_\_\_  
 EQUIPMENT: \_\_\_\_\_  
 NOTES: \_\_\_\_\_

FORM NO:  
 CBKD-71

DATE:  
 12/19/2024

PART NUMBER:  
 CBKDPRS SERIES

REV:  
 9

DRAWN BY:  
 CNG