

FEATURES

- Roof curb perimeter made of galvanized steel.
- Gasketing package provided.
- Heat treated wood nailer provided.
- Corner flanges are pre-threaded for easy bolt on assembly.
- Insulated deck pans provided.
- Pitched, adjustable pitch/adjustable height, welded, different height, isolation and calculated curbs are available.

NOTES

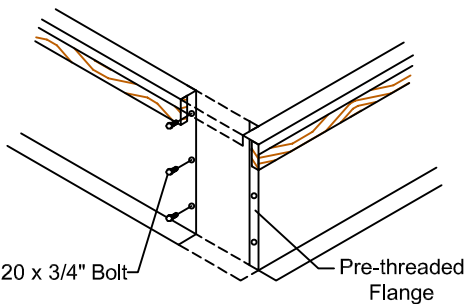
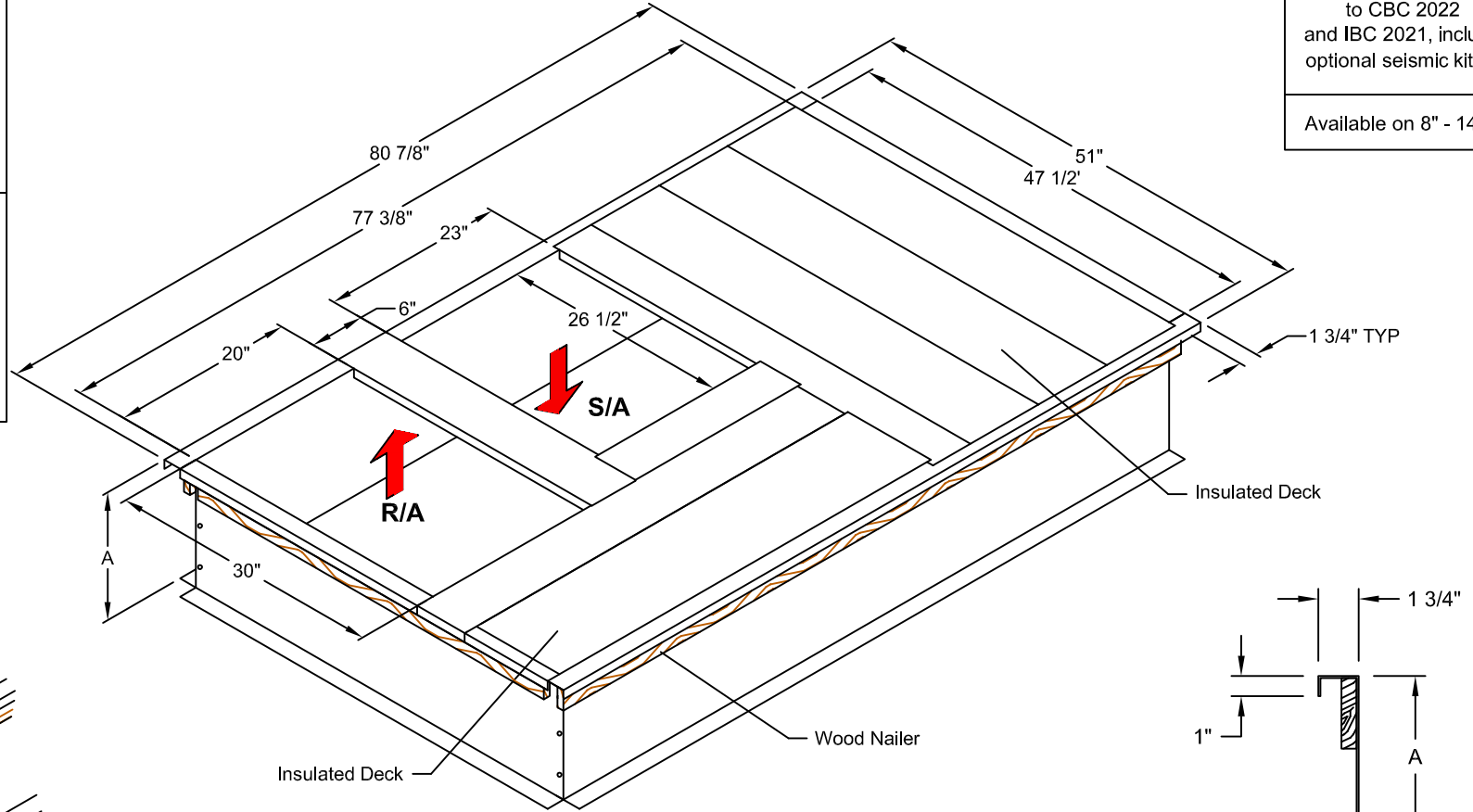
- Attach ductwork to roof curb. Flanges of duct rest on top of curb. Support ductwork below the curb.
- Thru the curbs utilities are available. Contact your York distributor or Provent directly.

KNOCK-DOWN ROOF CURBS FOR YORK UNITS

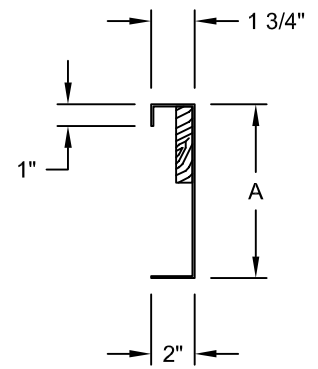
ZT, ZR, ZJ, ZH 037-150
ZF, ZH, ZJ, ZR, XP, ZB, DH, DM, DF, DR, BP 078-150

ProVent P/N	A	WEIGHT
CBKDPRD371508	8"	115 Lbs
CBKDPRD371511	11"	129 Lbs
CBKDPRD371514	14"	144 Lbs
CBKDPRD371518	18"	170 Lbs
CBKDPRD371524	24"	192 Lbs

SEISMIC KIT P/N
KDKITPRD3715
X
When conforming to CBC 2022 and IBC 2021, include optional seismic kit.
Available on 8" - 14".



CORNER DETAIL



CROSS SECTION DETAIL



3847 WABASH DRIVE
 MIRA LOMA, CA 91752
 PHONE (951) 685-1101
 FAX (619) 498-9247

SUBMITTED TO: _____
 COMPANY: _____
 JOB NAME: _____
 EQUIPMENT: _____
 NOTES: _____

FORM NO:
 CBKD-114
 DATE: 10/4/23
 REV: 6

PART NUMBER:
 CBKDPRD3715 SERIES
 DRAWN BY:
 CNG