

FEATURES

- Roof curb perimeter made of galvanized steel.
- Gasketing package provided.
- Heat treated wood nailer provided.
- Corner flanges are pre-threaded for easy bolt on assembly.
- Pitched, adjustable pitch/adjustable height, welded, different height, isolation and calculated curbs are available.

NOTES

- Attach ductwork to roof curb. Flanges of duct rest on top of the curb. Support ductwork below the curb.

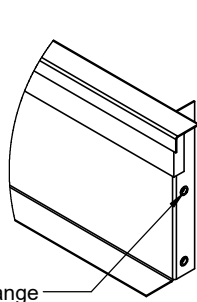
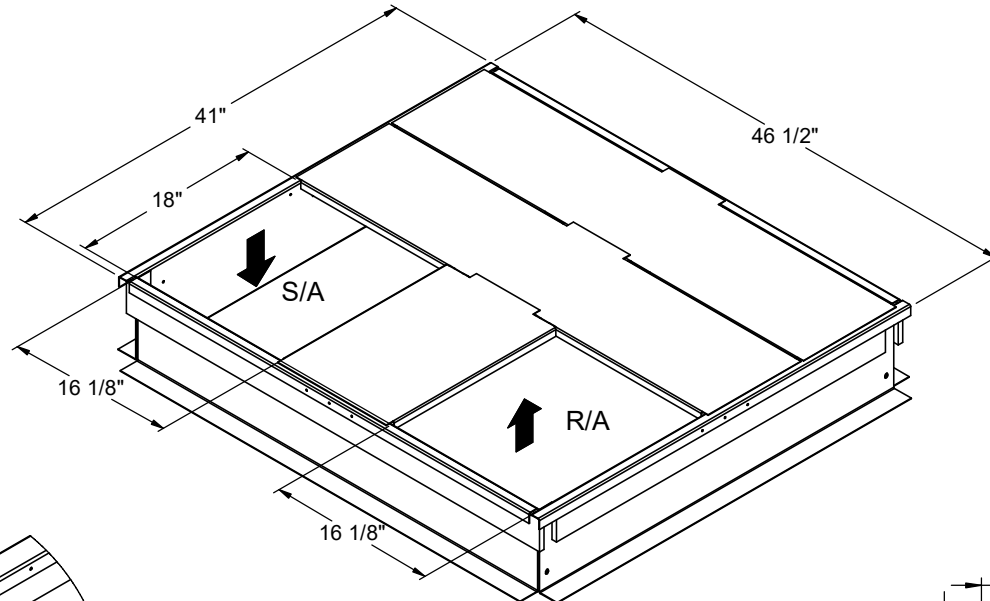
KNOCK-DOWN ROOF CURBS FOR YORK UNITS

P***B ALL MODELS

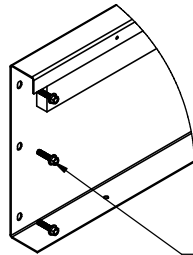
| PROVENT P/N | A | EST. WEIGHT | SEISMIC KIT P/N |
|-------------|-----|-------------|-----------------|
| CBKDLXL08 | 8" | 53 Lbs. | KDKITLX |
| CBKDLXL11 | 11" | 64 Lbs. | |
| CBKDLXL14 | 14" | 75 Lbs. | |
| CBKDLXL24 | 24" | 114 Lbs. | |

When conforming to CBC 2022 and IBC 2021, include optional seismic kit.

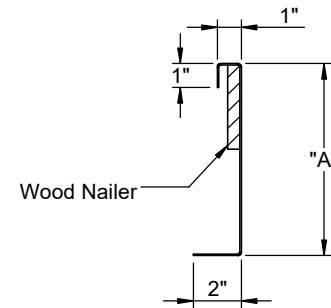
Available on 8" - 14"



Pre-Threaded Flange



1/4-20 X 3/4" Bolt



Wood Nailer

CORNER DETAIL

CROSS SECTION DETAIL



3847 WABASH DR.
MIRA LOMA, CA 91725

PHONE (951) 685-1101
FAX (619) 872-9799

SUBMITTED TO: _____
COMPANY: _____
JOB NAME: _____
EQUIPMENT: _____
NOTES: _____

FORM NO:
CBKD-151

PART NUMBER:
CBKDLXL SERIES

DATE:
3/1/2024

REV:
5

DRAWN BY:
CNG