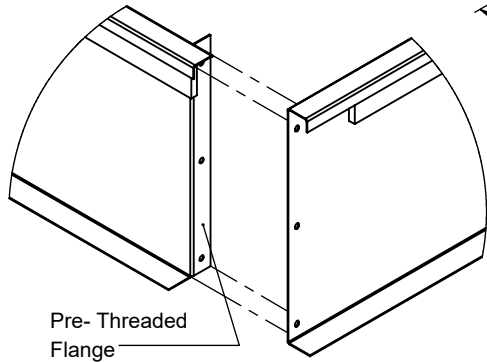
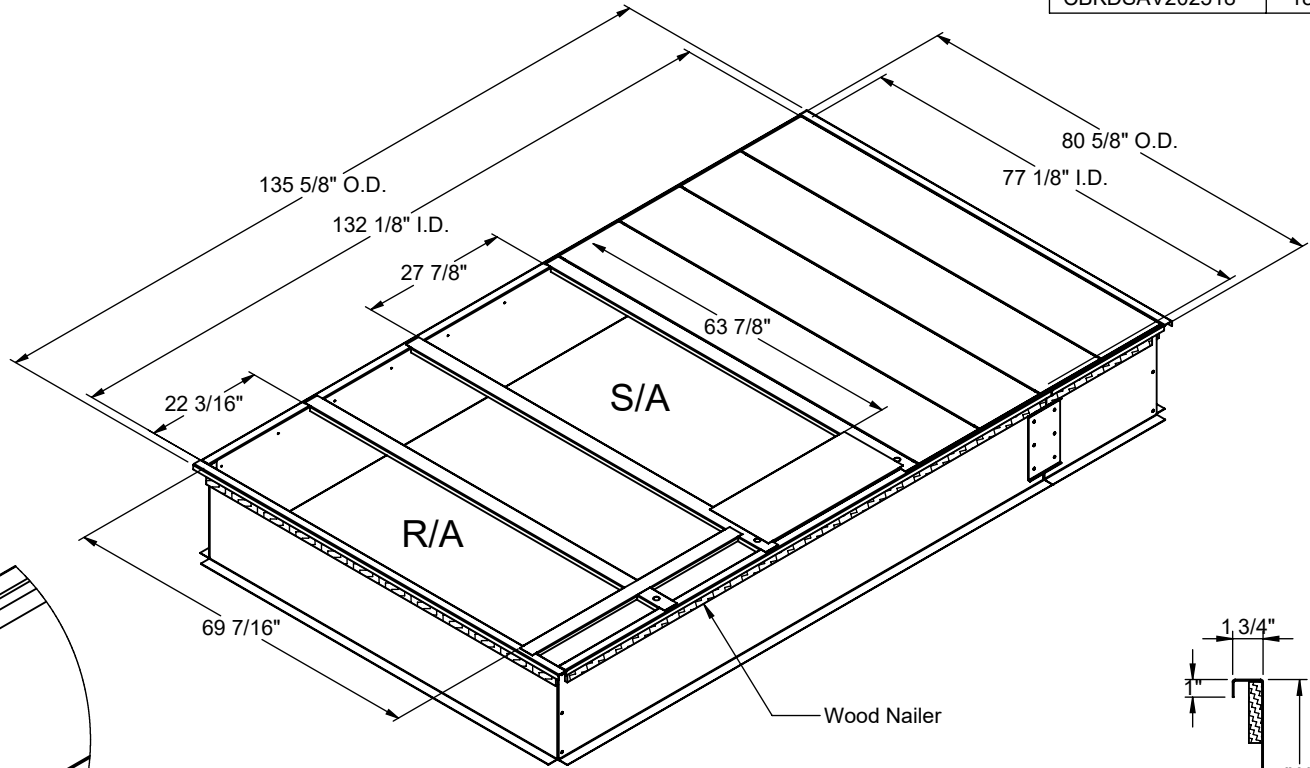


<u>FEATURES</u>
<ul style="list-style-type: none"> <li>• Roof curb perimeter made of galvanized steel.</li> <li>• Gasketing package provided.</li> <li>• Heat treated wood nailer provided.</li> <li>• Corner flanges are pre-threaded for easy bolt on assembly.</li> <li>• Pitched, adjustable pitch/ adjustable height, welded, different height, isolation and calculated curbs are available.</li> </ul>
<u>NOTES</u>
<ul style="list-style-type: none"> <li>• Attach ductwork to roof curb. Flanges of duct rest on top of curb. Support ductwork below the curb.</li> </ul>

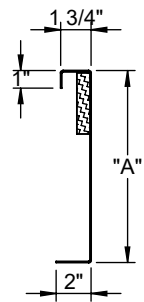
## KNOCK-DOWN ROOF CURBS FOR SUNCHOICE UNITS

20-25

General Table		
PROVENT P/N	A	EST. WEIGHT
CBKDSAV202508**	08"	220 Lbs.
CBKDSAV202511**	11"	250 Lbs.
CBKDSAV202514**	14"	280 Lbs.
CBKDSAV202518**	18"	325 Lbs.



CORNER DETAIL



CROSS SECTION DETAIL



3847 WABASH DRIVE  
MIRA LOMA, CA 91725  
  
PHONE (951) 685-1101  
FAX (619) 872-9799

SUBMITTED TO: \_\_\_\_\_  
COMPANY: \_\_\_\_\_  
JOB NAME: \_\_\_\_\_  
EQUIPMENT: \_\_\_\_\_  
NOTES: \_\_\_\_\_

FORM NO:  
-  
  
DATE:  
1/23/2020

PART NUMBER:  
CBKDSAV2025 SERIES  
  
REV:  
-  
  
DRAWN BY:  
ALL