

FEATURES	KNOCK-DOWN ROOF CURBS FOR YORK CHOICE UNITS	PROVENT P/N	A	EST. WEIGHT	SEISMIC KIT P/N
-----------------	----------------------------------------------------	--------------------	----------	--------------------	------------------------

- Roof curb perimeter made of galvanized steel.
- Gasketing package provided.
- Heat treated wood nailer provided.
- Corner flanges are pre-threaded for easy bolt on assembly.
- Pitched, adjustable pitch/ adjustable height, welded, different height, isolation and calculated curbs are available.

AV, KV28; AW, KW18-23; AH, AL, KH25; HV, WV25

CBKDSAV2808**	08"	240 Lbs.
CBKDSAV2811**	11"	275 Lbs.
CBKDSAV2814**	14"	311 Lbs.
CBKDSAV2818**	18"	454 Lbs.
CBKDSAV2824**	24"	560 Lbs.

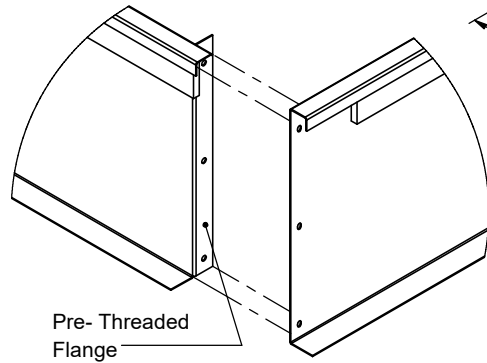
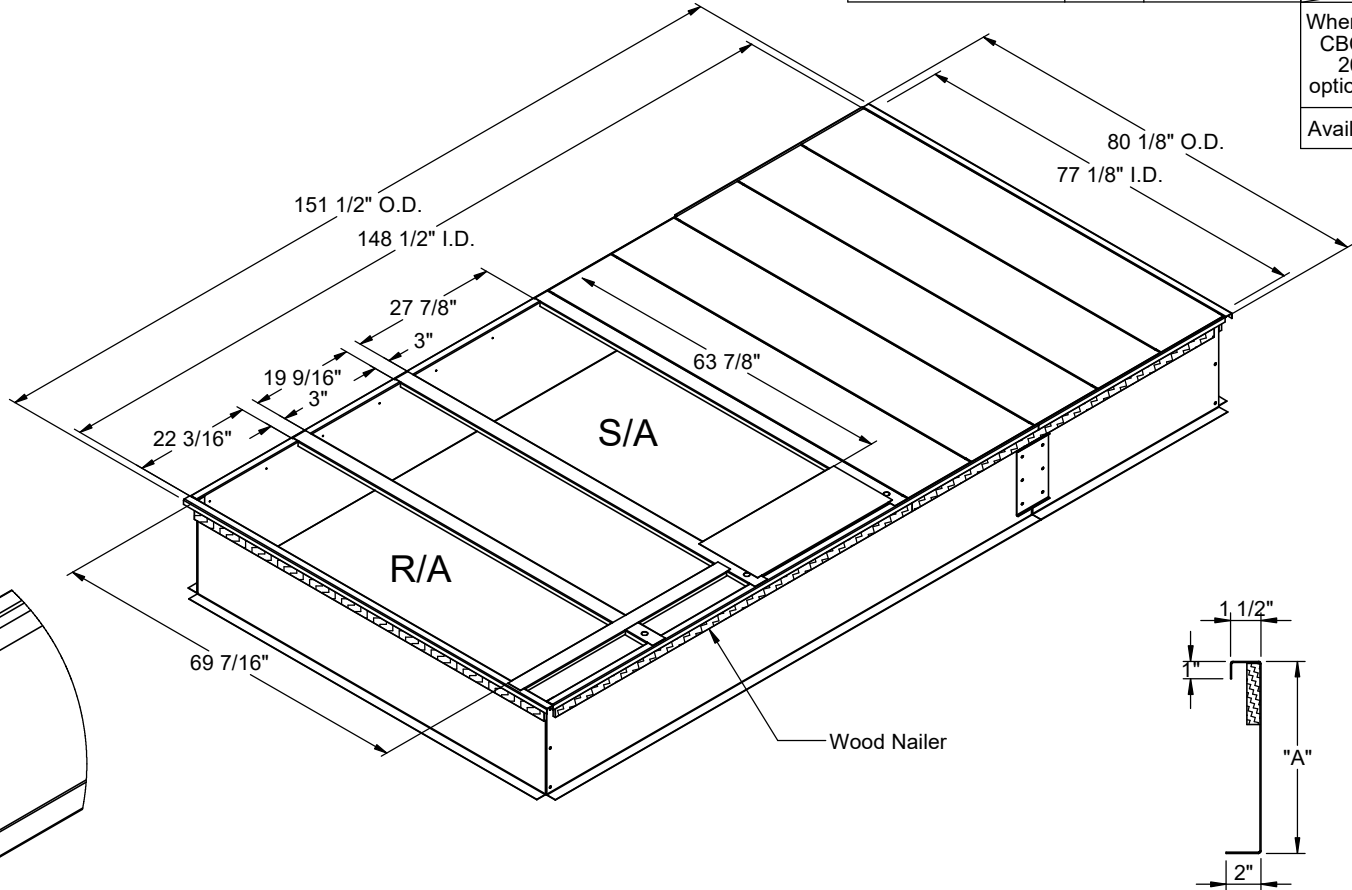
KDKITSAV28

When conforming to CBC 2022 to IBC 2021, include optional seismic kit.

Available for 8" - 18"

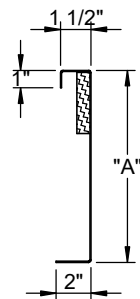
NOTES

- Attach ductwork to roof curb. Flanges of duct rest on top of curb. Support ductwork below the curb.



CORNER DETAIL

CBKDSAV2818 & 24 are 12GA perimeter



CROSS SECTION DETAIL

	3847 WABASH DRIVE MIRA LOMA, CA 91752	SUBMITTED TO: _____ COMPANY: _____ JOB NAME: _____ EQUIPMENT: _____ NOTES: _____	FORM NO: -	PART NUMBER: CBKDSAV28 SERIES	
	PHONE (951) 685-1101 FAX (619) 872-9799	DATE: 11/22/2024	REV: 5	DRAWN BY: CNG	