

For wood, concrete and steel attachments see Roof Anchorage Detail, Form No. CB-60.

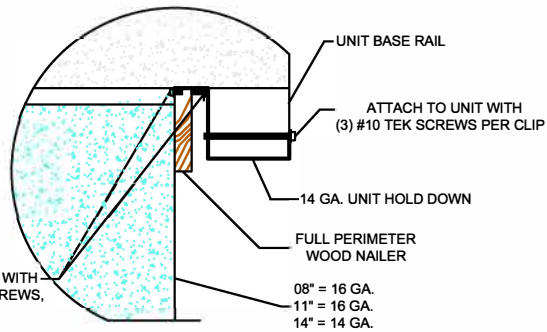
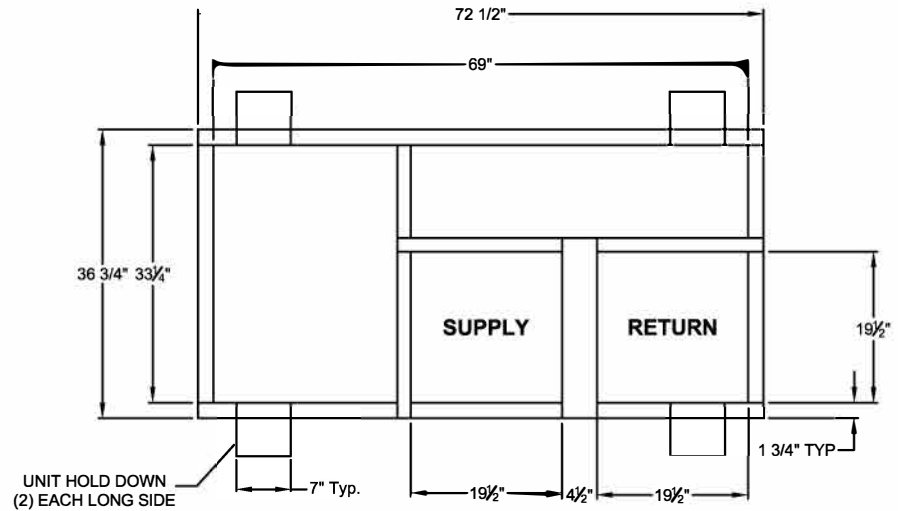
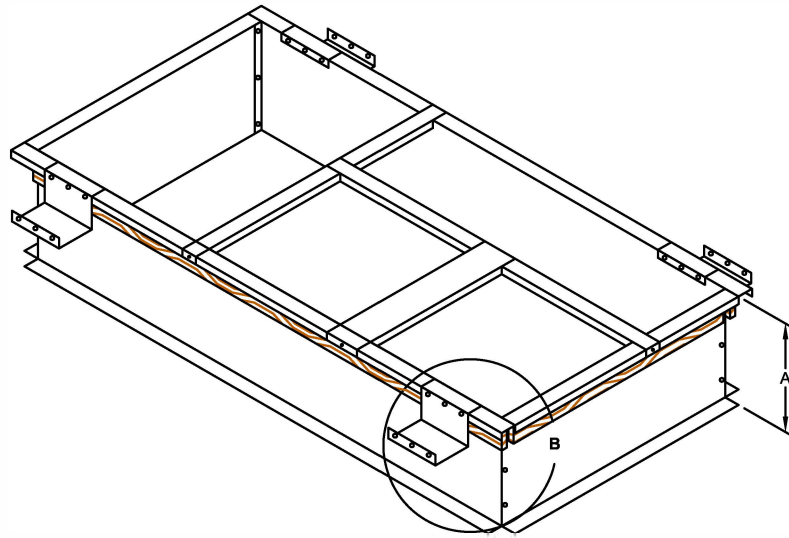
Will conform to seismic code requirements for knock-down or pre-assembled application. (Contact factory for assembled version.)

**STRUCTURALLY CALCULATED HOLD DOWN CLIPS FOR KNOCK-DOWN ROOF CURBS FOR YORK UNITS**

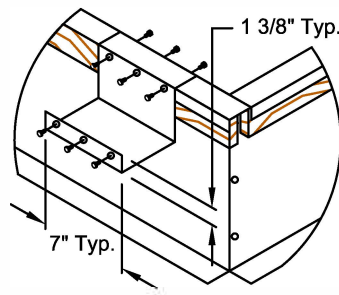
**ZR, XN, XP 036-060  
ZE, ZF 036-072**

ProVent P/N	A	WEIGHT	SEISMIC KIT P/N	WEIGHT
CBKDSUN367208	8"	67 Lbs	KDKITSUN3672	6 Lbs
CBKDSUN367211	11"	79 Lbs		
CBKDSUN367214	14"	91 Lbs		

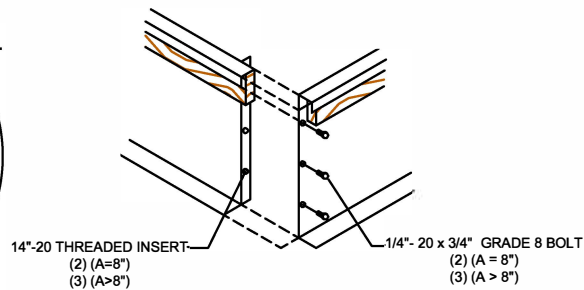
Meets seismic requirements for the following codes:  
CBC 2019  
IBC 2018



HOLD DOWN DETAIL



DETAIL B



CORNER DETAIL



3847 WABASH DRIVE  
MIRA LOMA, CA 91725

PHONE (951) 685-1101  
FAX (619) 872-9799

SUBMITTED TO: \_\_\_\_\_  
COMPANY: \_\_\_\_\_  
JOB NAME: \_\_\_\_\_  
EQUIPMENT: \_\_\_\_\_  
NOTES: \_\_\_\_\_

FORM NO:  
CBKD-79

DATE:  
9/9/2021

PART NUMBER:  
KDKITSUN3672

REV:  
6

DRAWN BY:  
ALL