

For wood, concrete, and steel attachments, see Roof Anchorage Detail, Form no. CB-60.

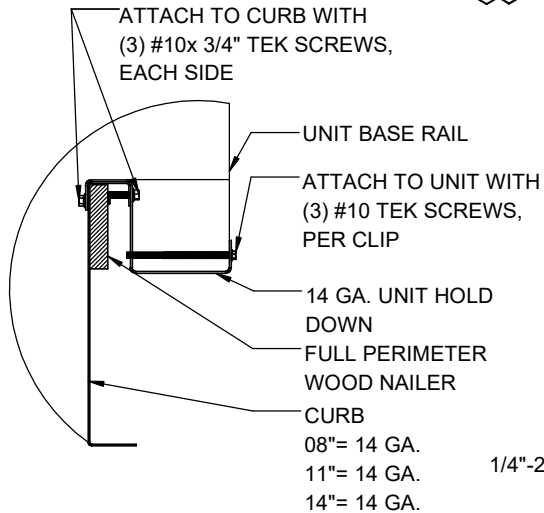
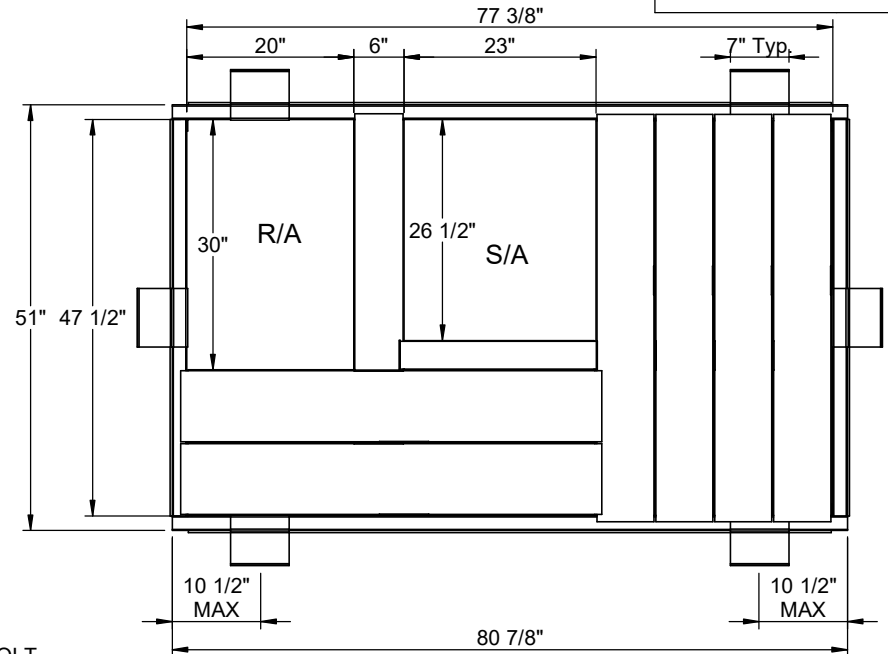
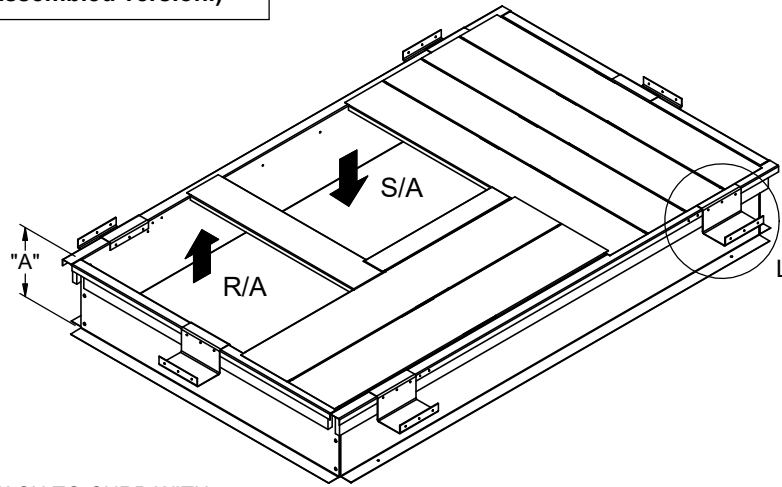
STRUCTURALLY CALCULATED HOLD DOWN CLIPS FOR KNOCK-DOWN ROOF CURBS FOR PREDATOR (SUN PRO) UNITS

Will conform to seismic code requirements for knock-down or pre-assembled application. (Contact factory for assembled version.)

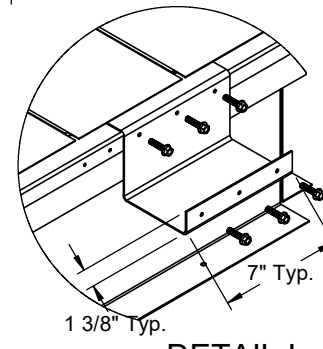
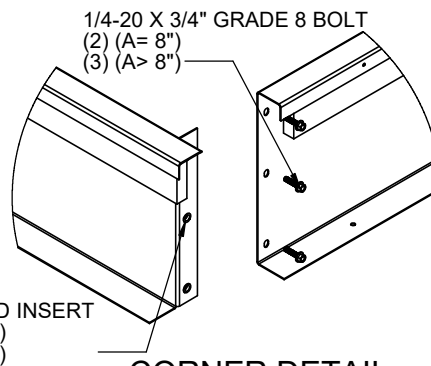
ZT, ZH, ZJ, ZR 037-150
ZF, XP, ZB 078-150

PROVENT P/N	A	EST. WEIGHT	SEISMIC KIT P/N	WEIGHT
CBKDPRD371508	8"	115 Lbs.	KDKITPRD3715	23 Lbs.
CBKDPRD371511	11"	129 Lbs.		
CBKDPRD371514	14"	144 Lbs.		

Meets seismic requirements for the following codes:
CBC 2022
IBC 2021



1/4"-20 THREADED INSERT
(2) (A= 8")
(3) (A> 8")



HOLD DOWN DETAIL

CORNER DETAIL

DETAIL L



3847 WABASH DR.
MIRA LOMA, CA 91752

PHONE (951) 685-1101
FAX (619) 872-9799

SUBMITTED TO: _____
COMPANY: _____
JOB NAME: _____
EQUIPMENT: _____
NOTES: _____

FORM NO:
CBKD-80

DATE:
8/25/2023

PART NUMBER:
KDKITPRD3715 SERIES

REV:
7

DRAWN BY:
FMM