

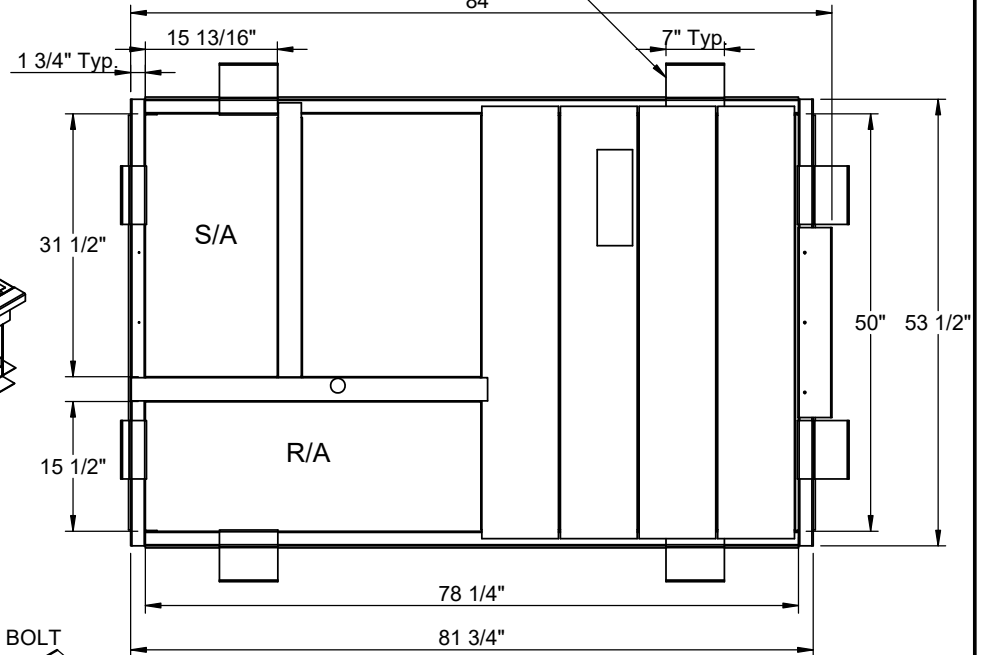
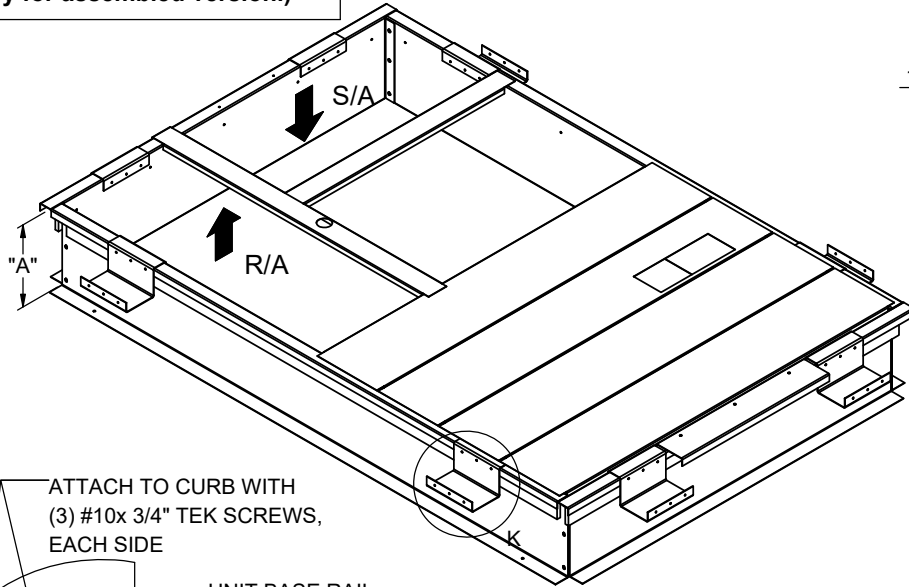
For wood, concrete, and steel attachments, see Roof Anchorage Detail, Form no. CB-60.

STRUCTURALLY CALCULATED HOLD DOWN CLIPS FOR KNOCK-DOWN ROOF CURBS FOR DIRECT FIT (SUN CORE) LARGE CABINET UNITS

ZX08-14; XX08-12; XYA7, ZYA7
ZY07-12; XY07-09; ZL08-14

Will conform to seismic code requirements for knock-down or pre-assembled application. (Contact factory for assembled version.)

PROVENT P/N	A	EST. WEIGHT	SEISMIC KIT P/N	WEIGHT
CBKDPRL08	8"	115 Lbs.	KDKITPRL	60 Lbs.
CBKDPRL11	11"	129 Lbs.		
CBKDPRL14	14"	144 Lbs.		
14 GA UNIT HOLD DOWN (2) EACH SIDE			Meets seismic requirements for the following codes: CBC 2022 IBC 2021	



ATTACH TO CURB WITH (3) #10x 3/4" TEK SCREWS, EACH SIDE

UNIT BASE RAIL

ATTACH TO CURB WITH (3) #10 TEK SCREWS, PER CLIP

14 GA. UNIT HOLD DOWN

FULL PERIMETER WOOD NAILER

CURB

08"= 16 GA.
11"= 16 GA.
14"= 14 GA.

1/4"-20 X 3/4" GRADE 8 BOLT
(2) (A= 8")
(3) (A> 8")

1/4"-20 THREADED INSERT
(2) (A= 8")
(3) (A> 8")

HOLD DOWN DETAIL

CORNER DETAIL

DETAIL K



3847 WABASH DR.
MIRA LOMA, CA 91752

PHONE (951) 685-1101
FAX (619) 872-9799

SUBMITTED TO: _____
COMPANY: _____
JOB NAME: _____
EQUIPMENT: _____
NOTES: _____

FORM NO:
CBKD-141

PART NUMBER:
KDKITPRL SERIES

DATE:
7/18/2023

REV:
8

DRAWN BY:
JG