

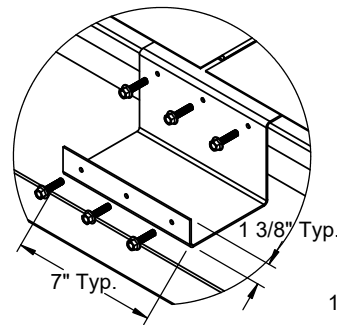
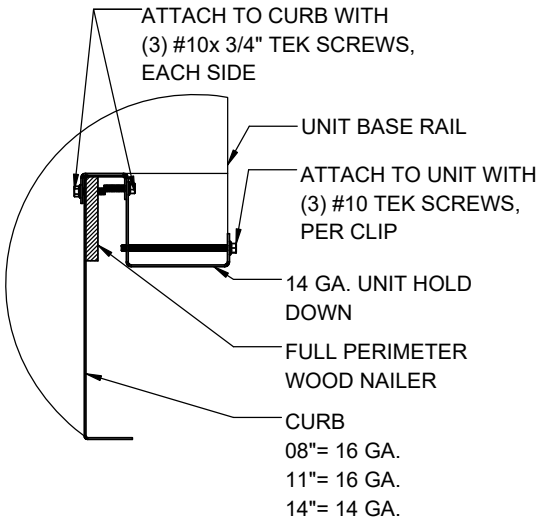
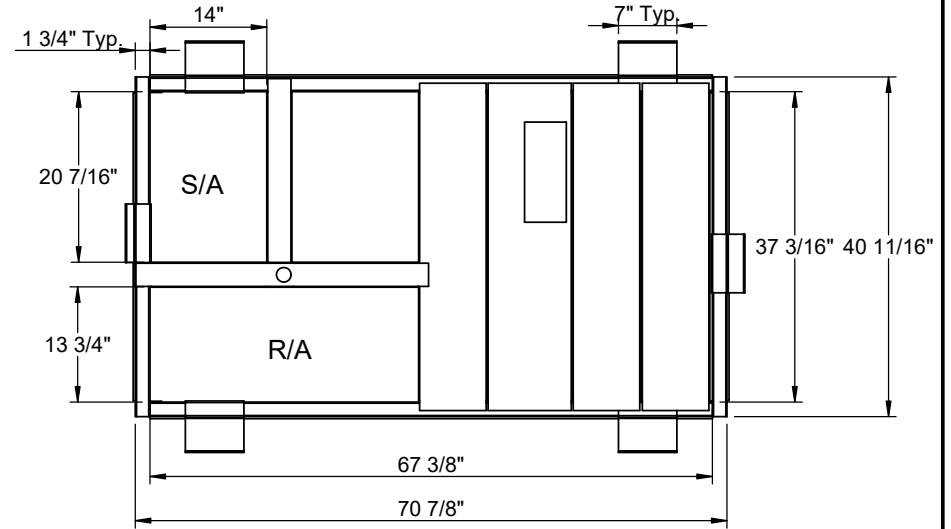
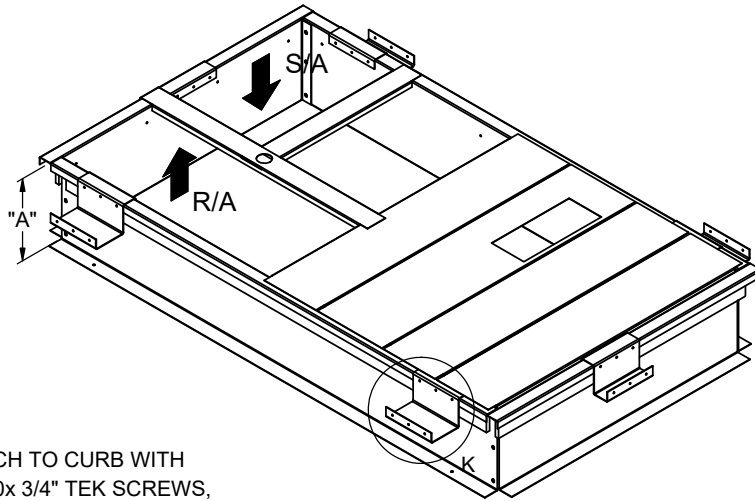
For wood, concrete, and steel attachments, see Roof Anchorage Detail, Form no. CB-60.

STRUCTURALLY CALCULATED HOLD DOWN CLIPS FOR KNOCK-DOWN ROOF CURBS FOR DIRECT FIT (SUN CORE) SMALL CABINET UNITS

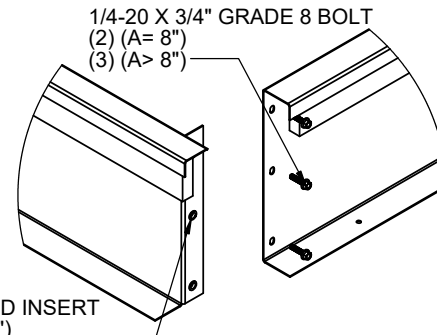
ZX04-07; XXA7, ZXA7
ZY, ZQ, XY, XQ, ZL04-06

Will conform to seismic code requirements for knock-down or pre-assembled application. (Contact factory for assembled version.)

PROVENT P/N	A	EST. WEIGHT	SEISMIC KIT P/N	WEIGHT
CBKDPRS08	8"	67 Lbs.	KDKITPRS	43 Lbs.
CBKDPRS11	11"	79 Lbs.		
CBKDPRS14	14"	91 Lbs.		
			Meets seismic requirements for the following codes: CBC 2022 IBC 2021	



DETAIL K



CORNER DETAIL



3847 WABASH DR.
MIRA LOMA, CA 91752

PHONE (951) 685-1101
FAX (619) 872-9799

SUBMITTED TO: _____
COMPANY: _____
JOB NAME: _____
EQUIPMENT: _____
NOTES: _____

FORM NO:
CBKD-140

PART NUMBER:
KDKITPRS SERIES

DATE:
7/18/2023

REV:
9

DRAWN BY:
JG