

**FEATURES**

- Roof curb perimeter made of galvanized steel.
- Gasketing package provided.
- Heat treated wood nailer provided.
- Corner flanges are pre-threaded for easy bolt on assembly.
- Pitched, adjustable height, welded, different height, isolation and calculated curbs are available.

**NOTES**

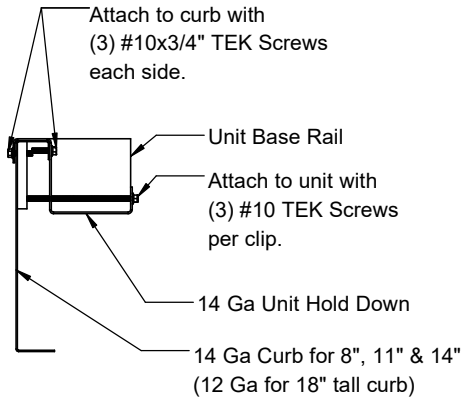
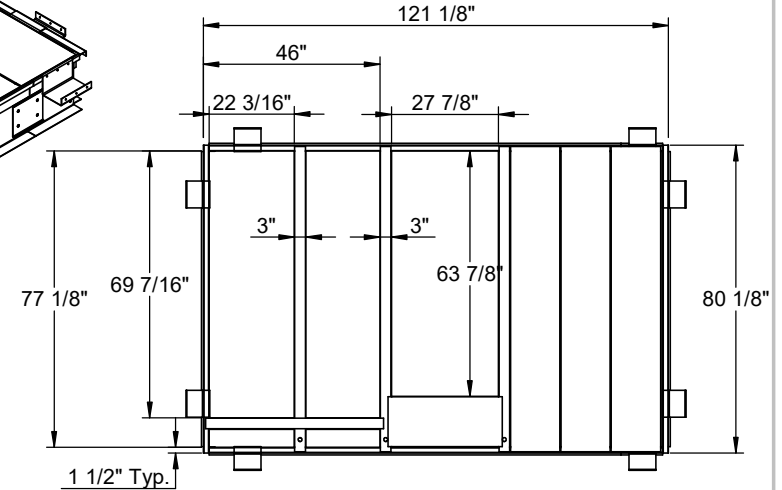
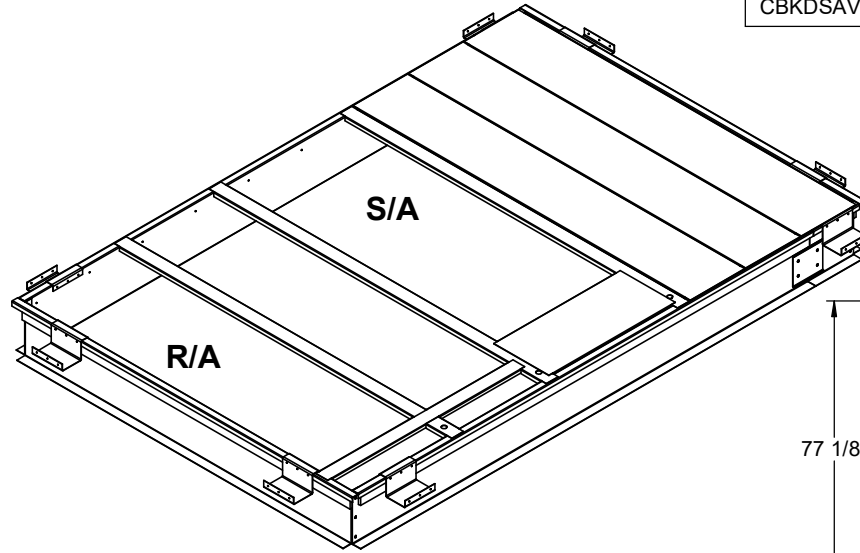
Attach ductwork to roof curb.  
Flanges of duct rest on top of curb.  
Support ductwork below the curb.

**HOLD DOWN CLIPS FOR  
SUNCHOICE UNITS**

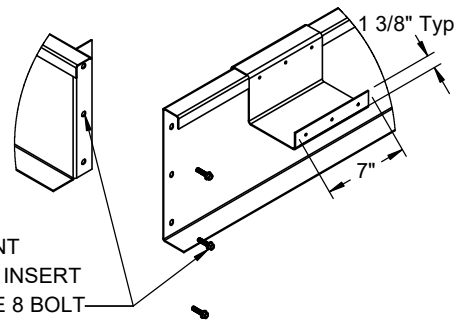
AV15-18, AD15-18; AH15, AL15, HV13

ProVent P/N	A	Est. Weight	SEISMIC CLIP P/N:	Est. Weight
CBKDSAV151808	8"	195 Lbs.	KDKITSAV1518	20 Lbs.
CBKDSAV151811	11"	225 Lbs.		
CBKDSAV151814	14"	265 Lbs.		
CBKDSAV151818	18"	462 Lbs.		

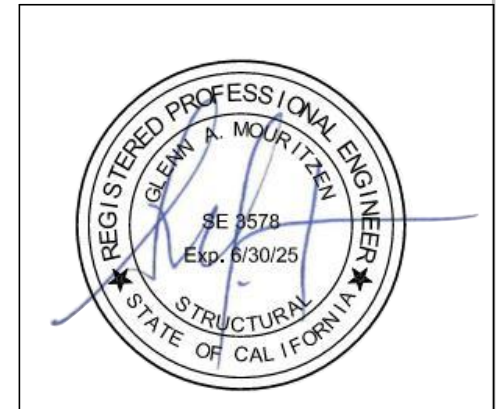
Meets seismic requirements  
for the following codes:  
CBC 2022  
IBC 2021



**HOLD DOWN DETAIL**



**CORNER & HOLD DOWN DETAIL**



3847 WABASH DR.  
MIRA LOMA, CA 91752

PHONE (951) 685-1101  
FAX (619) 872-9799

SUBMITTED TO: \_\_\_\_\_  
COMPANY: \_\_\_\_\_  
JOB NAME: \_\_\_\_\_  
EQUIPMENT: \_\_\_\_\_  
NOTES: \_\_\_\_\_

FORM NO:  
CBKD-165

PART NUMBER:  
CBKD-165

DATE:  
8/25/2023

REV:  
3

DRAWN BY:  
FMM