

**FEATURES**

- Roof curb perimeter made of galvanized steel.
- Gasketing package provided.
- Heat treated wood nailer provided.
- Corner flanges are pre-threaded for easy bolt on assembly.
- Pitched, adjustable height, welded, different height, isolation and calculated curbs are available.

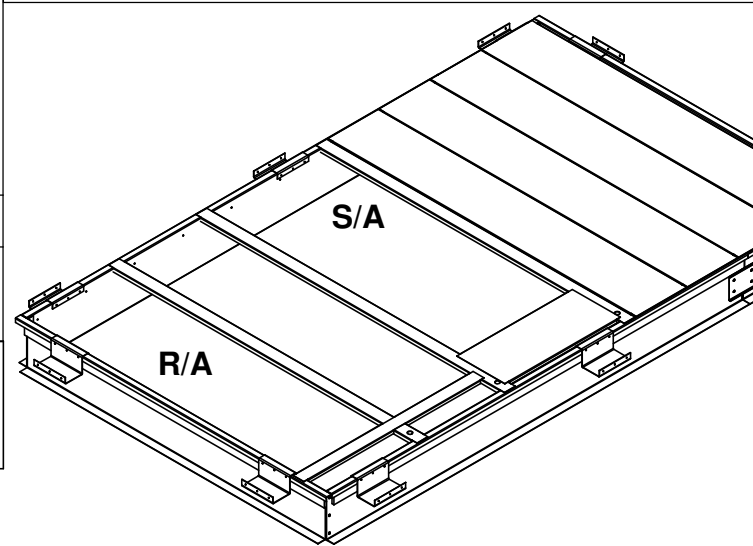
**NOTES**

Attach ductwork to roof curb. Flanges of duct rest on top of curb. Support ductwork below the curb.

**For wood, concrete and steel attachments see Roof Anchorage Detail, Form No. CB-60**

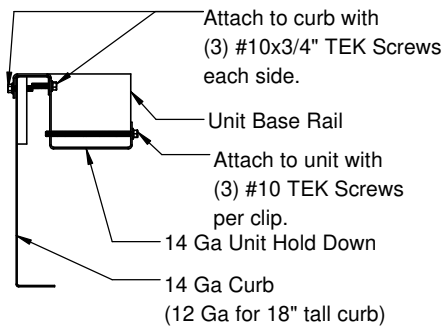
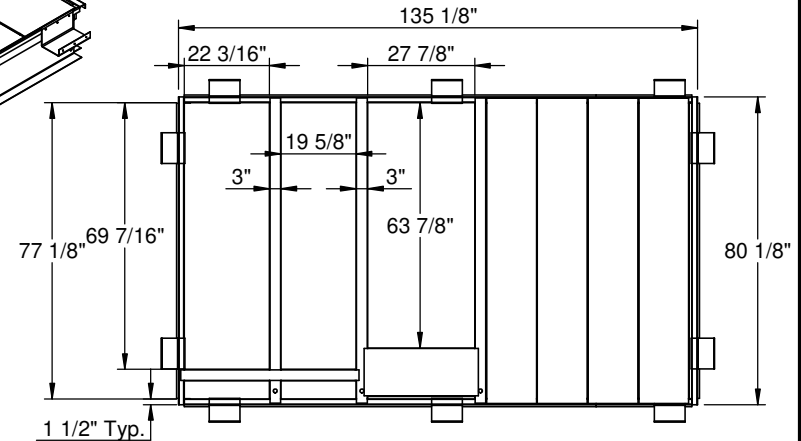
## HOLD DOWN CLIPS FOR SUNCHOICE UNITS

20-25

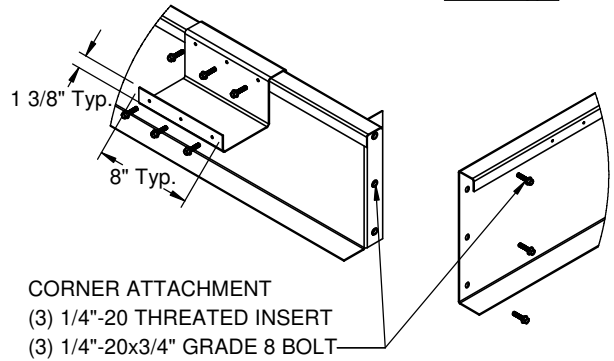


ProVent P/N	A	Est. Weight	SEISMIC CLIP P/N:	Est. Weight
CBKDSAV202508	8"	335 Lbs.	KDKITSAV2025	15 Lbs.
CBKDSAV202511	11"	380 Lbs.		
CBKDSAV202514	14"	425 Lbs.		
CBKDSAV202518	18"	525 Lbs.		

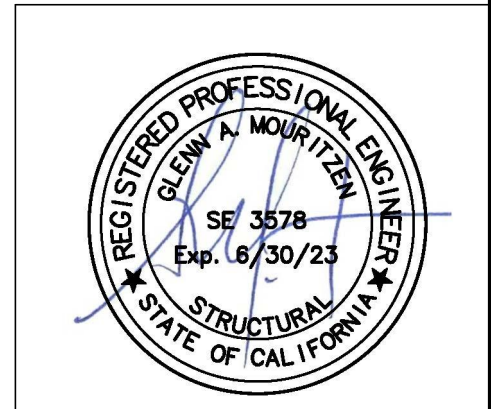
Meets seismic requirements for the following codes:  
CBC 2019  
IBC 2018



**HOLD DOWN DETAIL**



**CORNER & HOLD DOWN DETAIL**



3847 WABASH DR.  
MIRA LOMA, CA 91752

PHONE (951) 685-1101  
FAX (619) 872-9799

SUBMITTED TO: \_\_\_\_\_  
COMPANY: \_\_\_\_\_  
JOB NAME: \_\_\_\_\_  
EQUIPMENT: \_\_\_\_\_  
NOTES: \_\_\_\_\_

PART NUMBER: KDKITSAV2025

DATE: 11/4/2022	REV: -	DRAWN BY: JG
-----------------	--------	--------------