

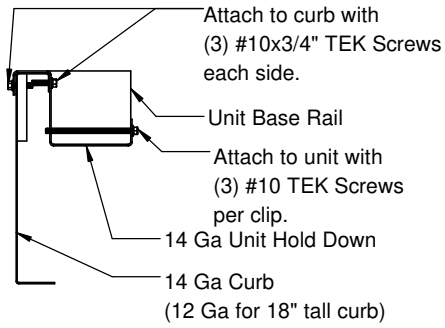
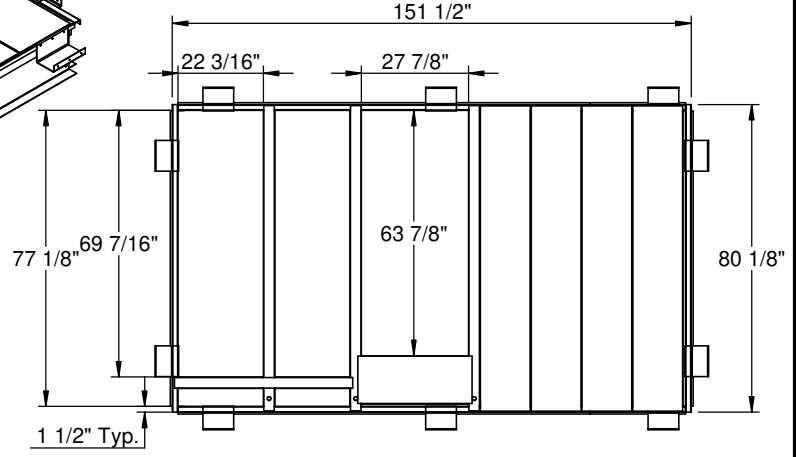
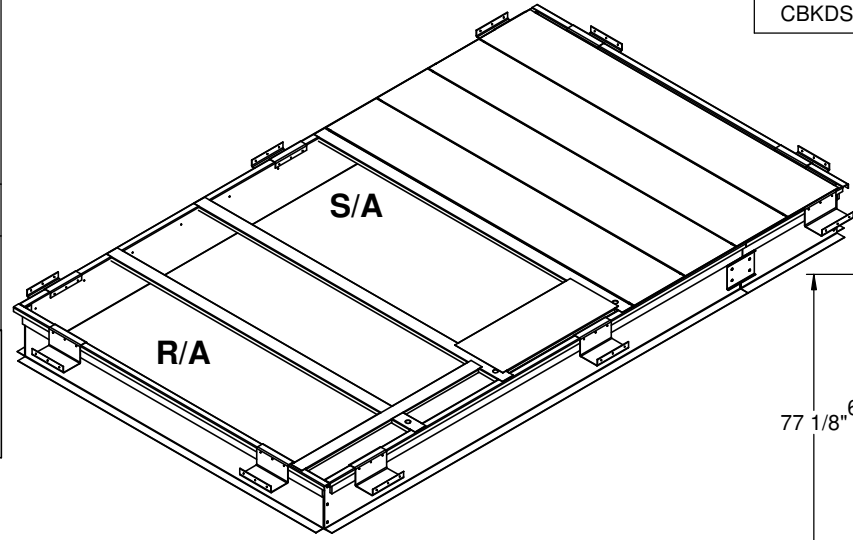
<b>FEATURES</b> <ul style="list-style-type: none"> <li>• Roof curb perimeter made of galvanized steel.</li> <li>• Gasketing package provided.</li> <li>• Heat treated wood nailer provided.</li> <li>• Corner flanges are pre-threaded for easy bolt on assembly.</li> <li>• Pitched, adjustable height, welded, different height, isolation and calculated curbs are available.</li> </ul>	<b>HOLD DOWN CLIPS FOR SUNCHOICE UNITS</b>  AV28	ProVent P/N	A	Est. Weight	SEISMIC CLIP P/N:	Est. Weight	
			CBKDSAV2808	8"	260 Lbs.	KDKITSAV28	15 Lbs.
			CBKDSAV2811	11"	290 Lbs.		
			CBKDSAV2814	14"	320 Lbs.		
	CBKDSAV2818	18"	425 Lbs.				

Meets seismic requirements for the following codes:  
 CBC 2019  
 IBC 2018

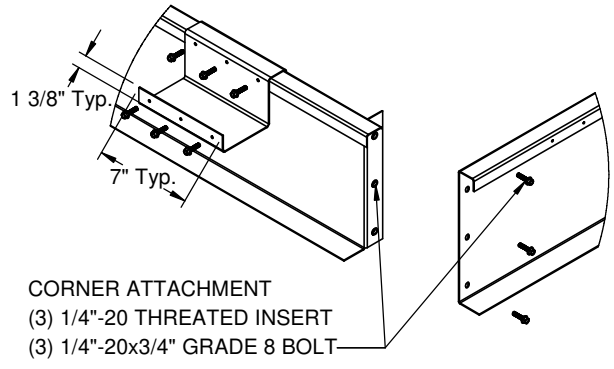
**NOTES**

Attach ductwork to roof curb. Flanges of duct rest on top of curb. Support ductwork below the curb.

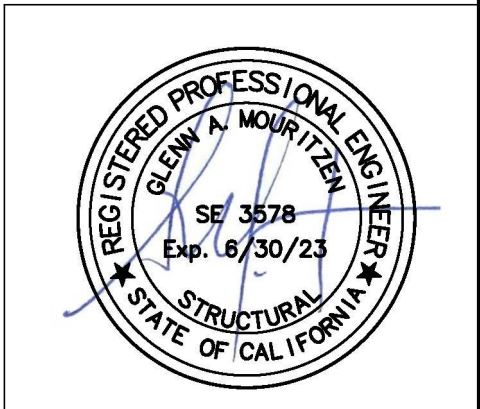
**For wood, concrete and steel attachments see Roof Anchorage Detail, Form No. CB-60**



**HOLD DOWN DETAIL**



**CORNER & HOLD DOWN DETAIL**



	<b>3847 WABASH DR.          MIRA LOMA, CA 91752</b>  <b>PHONE (951) 685-1101          FAX (619) 872-9799</b>	SUBMITTED TO: _____ COMPANY: _____ JOB NAME: _____ EQUIPMENT: _____ NOTES: _____		<b>PART NUMBER:</b> KDKITSAV28	
		DATE: 11/4/2022	REV: -	DRAWN BY: JG	