

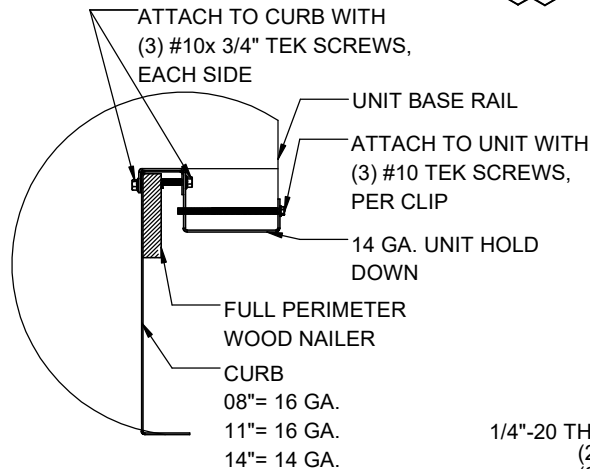
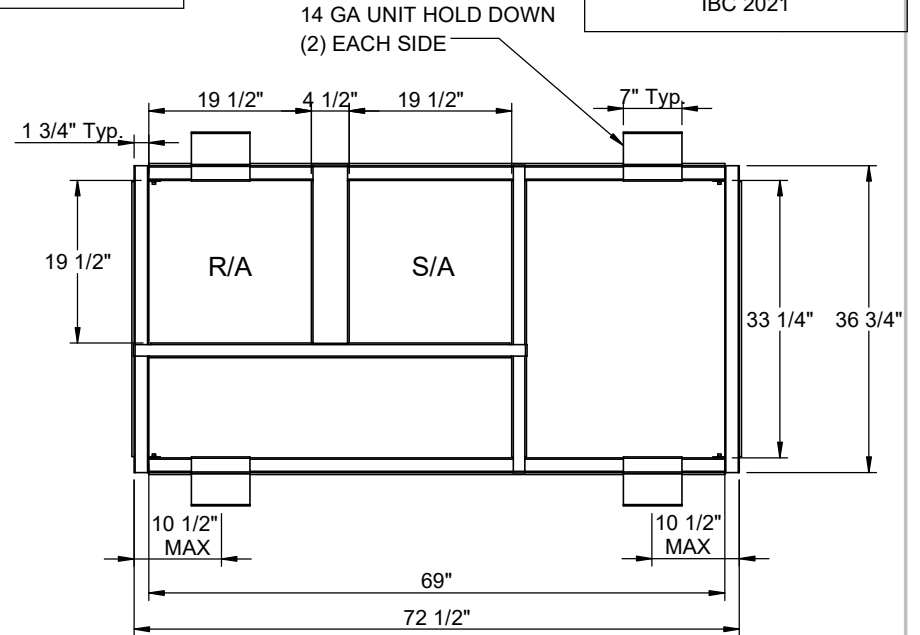
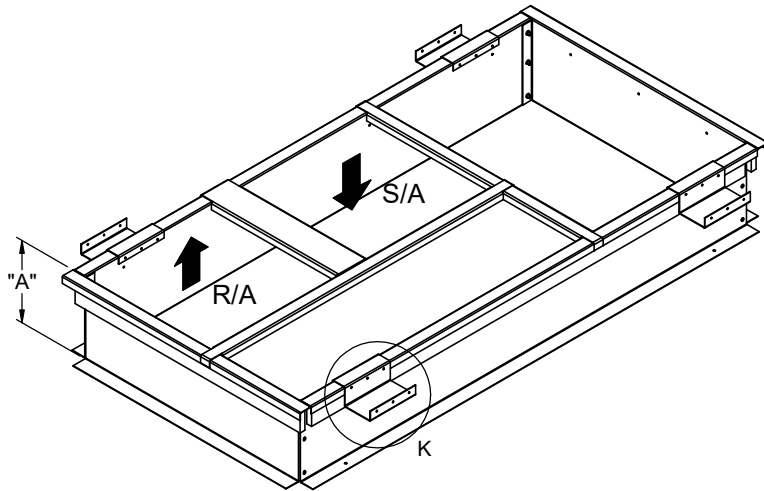
For wood, concrete, and steel attachments, see Roof Anchorage Detail, Form no. CB-60.

STRUCTURALLY CALCULATED HOLD DOWN CLIPS FOR KNOCK-DOWN ROOF CURBS FOR SMALL SUNLINE 3-6 TON UNITS

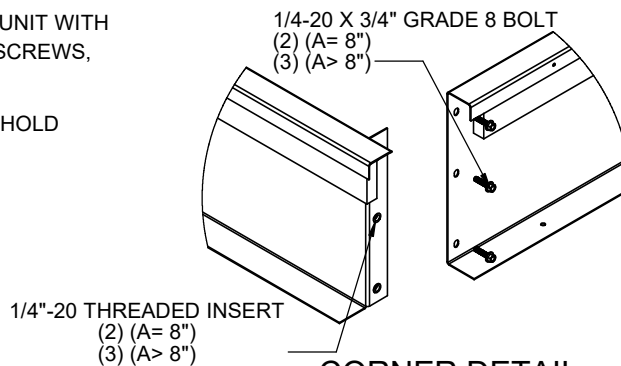
ZR, XN, XP 036-060
ZE, ZF 036-072

Will conform to seismic code requirements for knock-down or pre-assembled application. (Contact factory for assembled version.)

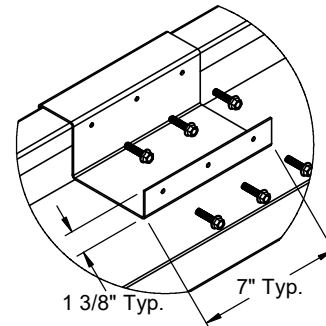
PROVENT P/N	A	EST. WEIGHT	SEISMIC KIT P/N	WEIGHT
CBKDSUN367208	8"	67 Lbs.	KDKITSUN3672	8 Lbs.
CBKDSUN367211	11"	79 Lbs.		
CBKDSUN367214	14"	91 Lbs.	Meets seismic requirements for the following codes: CBC 2022 IBC 2021	



HOLD DOWN DETAIL



CORNER DETAIL



DETAIL K



3847 WABASH DR.
MIRA LOMA, CA 91752

PHONE (951) 685-1101
FAX (619) 872-9799

SUBMITTED TO: _____
COMPANY: _____
JOB NAME: _____
EQUIPMENT: _____
NOTES: _____

FORM NO:
CBKD-79

DATE:
8/25/2023

PART NUMBER:
KDKITSUN3672 SERIES

REV:
7

DRAWN BY:
FMM