

For wood, concrete and steel attachments see Roof Anchorage Detail, Form No. CB-25A.

Will conform to wind load code requirements for knock-down or pre-assembled application. (Contact factory for assembled version.)

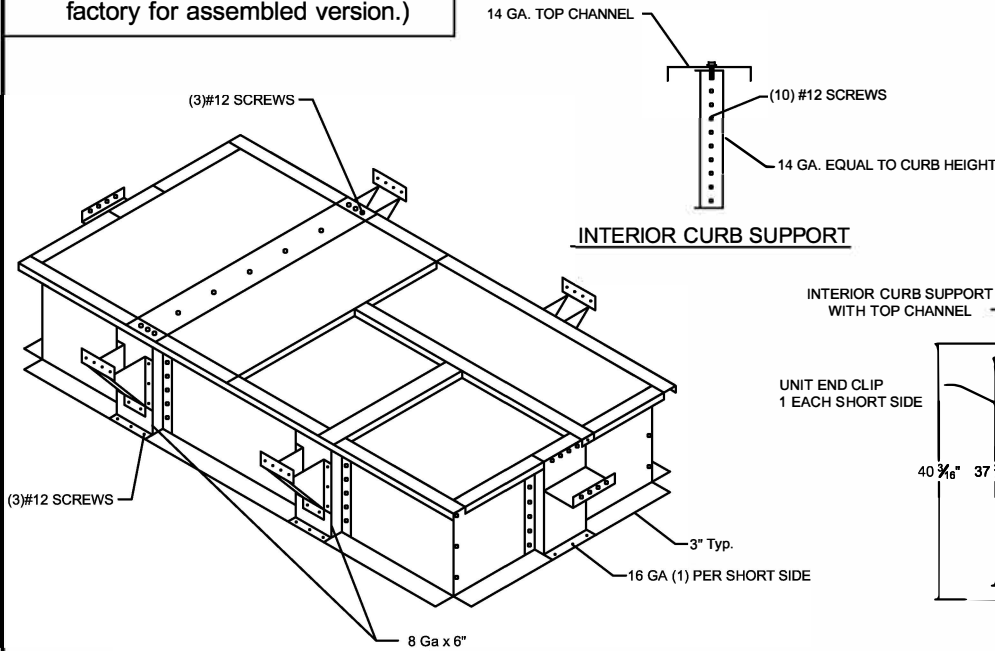
CALCULATED WIND ROOF CURBS FOR YORK UNITS

ZX 04-07; XX A7, ZX A7, ZY, ZQ, XY, XQ 04-06

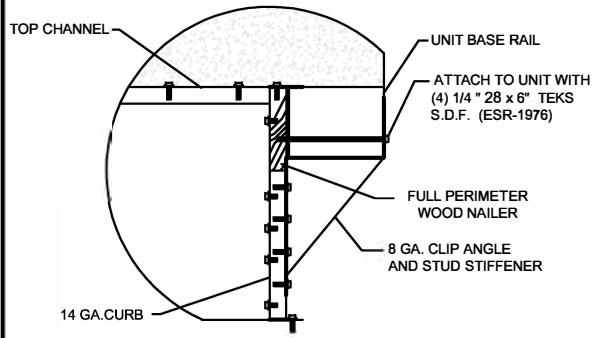
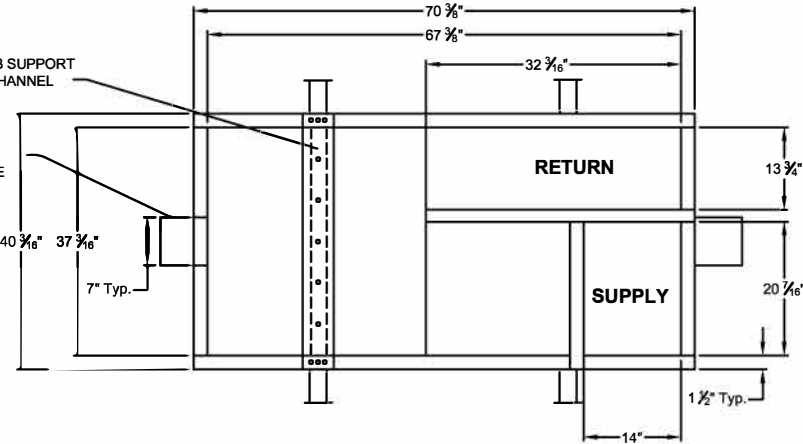
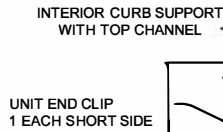
ProVent P/N	A	WEIGHT
80-265-4514	14"	117 Lbs
80-265-4518	18"	141 Lbs

Meets wind requirements for the following codes:
FBC 2020
based on ASCE 7-16.

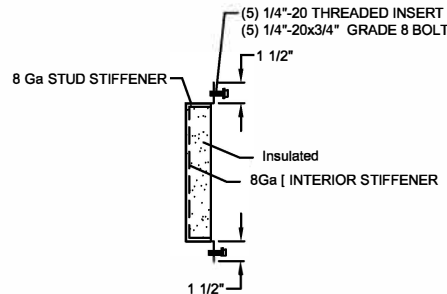
Wind:
190 mph exposure D category III or IV building, max BLDG height: 60 ft
Kzt=1.00 max



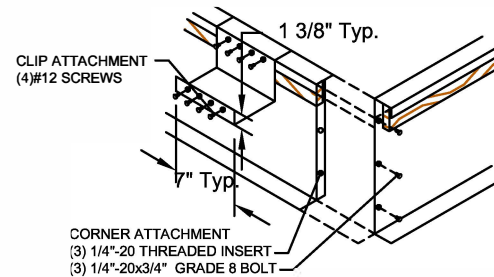
INTERIOR CURB SUPPORT



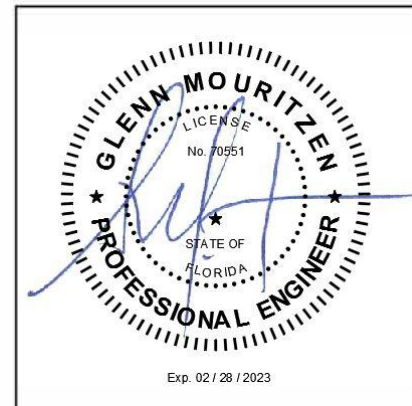
HOLD DOWN DETAIL



STUD STIFFENER



CORNER & END CLIP DETAIL



Exp. 02 / 28 / 2023



1625 DIPLOMAT DRIVE
CARROLTON, TX 75006

PHONE (972) 247-7447
FAX (972) 243-0940

SUBMITTED TO: _____
COMPANY: _____
JOB NAME: _____
EQUIPMENT: _____
NOTES: _____

FORM NO:
CBKD-162A

DATE:
3/29/2021

REV:
3

PART NUMBER:
80-265-45

DRAWN BY:
ALL