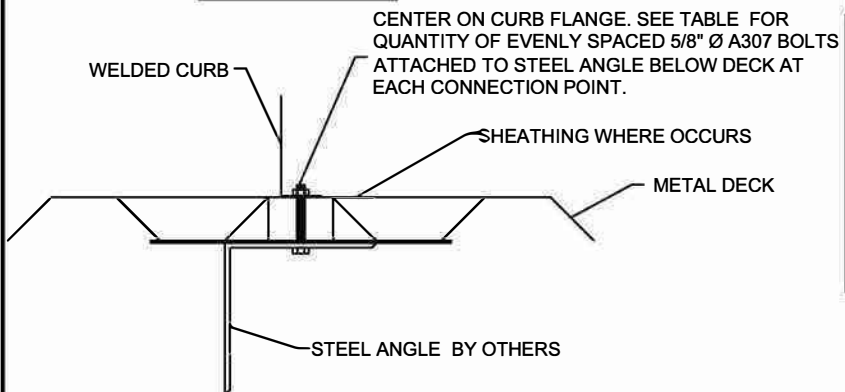


STEEL ATTACHMENT

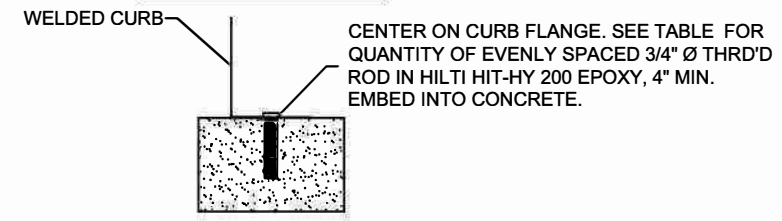


WIND LOAD ROOF ANCHORAGE DETAIL

Meets wind requirements for the following codes:
 FBC 2020
 based on ASCE 7-16.

Wind:
 190 mph exposure D category III or IV
 building, max BLDG height: 60 ft
 Kzt=1.00 max

CONCRETE ATTACHMENT

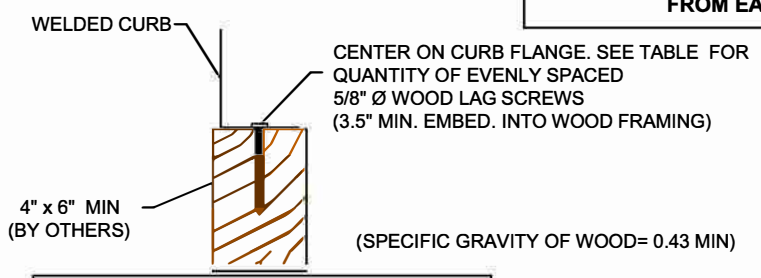


- NORMAL WEIGHT CONC SLAB
- $f_c=4000$ PSI MIN
- 6" MIN THICK CONC.
- SPECIAL INSPECTION REQUIRED (ESR-3187)

CURB KIT	NO. OF ANCHORAGE BOLTS REQUIRED		UNIT
	LONG SIDE *	SHORT SIDE *	
80-265-49	2 @ 34.5" o.c.	2 @ 19" o.c.	LXS
80-265-50	2 @ 34.5" o.c.	2 @ 29" o.c.	LXL
80-265-13	2 @ 61" o.c.	2 @ 25.25" o.c.	SUNLINE 3-6 TON
80-265-45	2 @ 58.38" o.c.	2 @ 28.19" o.c.	PRESTIGE SMALL
80-265-46	2 @ 72" o.c.	2 @ 41" o.c.	PRESTIGE LARGE
80-265-29	3 @ 34.69" o.c.	2 @ 39.5" o.c.	PREDATOR
80-265-19	3 @ 51.63" o.c.	2 @ 72" o.c.	SUNLINE ULTRA
80-265-18	3 @ 57.13" o.c.	2 @ 72" o.c.	SUNLINE MAGNA

CURB KIT	NO. OF ANCHORAGE BOLTS REQUIRED		UNIT
	LONG SIDE *	SHORT SIDE **	
80-265-49	5 @ 8.63" o.c.	3 @ 9.5" o.c.	LXS
80-265-50	5 @ 8.63" o.c.	4 @ 9.67" o.c.	LXL
80-265-13	5 @ 15.25" o.c.	3 @ 12.63" o.c.	SUNLINE 3-6 TON
80-265-45	5 @ 14.59" o.c.	3 @ 14.09" o.c.	PRESTIGE SMALL
80-265-46	5 @ 18" o.c.	4 @ 13.67" o.c.	PRESTIGE LARGE
80-265-29	9 @ 8.67" o.c.	5 @ 9.88" o.c.	PREDATOR
80-265-19	8 @ 14.75" o.c.	6 @ 14.4" o.c.	SUNLINE ULTRA
80-265-18	12 @ 10.39" o.c.	8 @ 10.29" o.c.	SUNLINE MAGNA

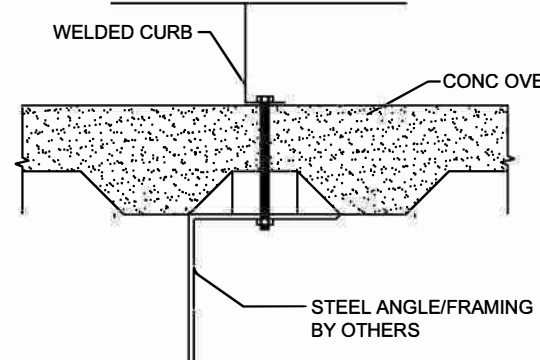
WOOD ATTACHMENT



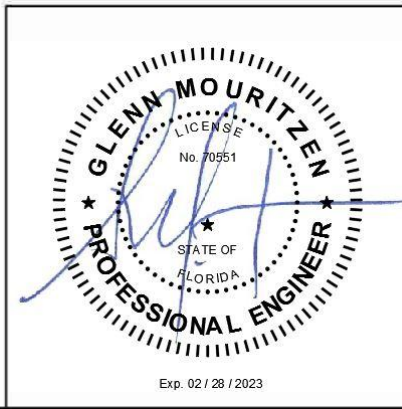
STEEL AND CONCRETE ANCHORS ARE 6" FROM EACH CORNER EVENLY SPACED

CURB KIT	NO. OF ANCHORAGE SCREWS REQUIRED		UNIT
	LONG SIDE	SHORT SIDE	
80-265-49	6 @ 7.7" o.c.	3 @ 11.5" o.c.	LXS
80-265-50	5 @ 9.63" o.c.	5 @ 8.25" o.c.	LXL
80-265-13	6 @ 13" o.c.	3 @ 14.63" o.c.	SUNLINE 3-6 TON
80-265-45	6 @ 12.48" o.c.	3 @ 16.09" o.c.	PRESTIGE SMALL
80-265-46	6 @ 15.2" o.c.	4 @ 15" o.c.	PRESTIGE LARGE
80-265-29	10 @ 8.15" o.c.	6 @ 8.7" o.c.	PREDATOR
80-265-19	8 @ 15.32" o.c.	6 @ 15.2" o.c.	SUNLINE ULTRA
80-265-18	14 @ 9.1" o.c.	8 @ 10.86" o.c.	SUNLINE MAGNA

CONCRETE OVER METAL DECK



NOTE: FOR CONC OVER METAL DECK OVER STEEL FRAMING USE STEEL ATTACHMENT



Exp. 02 / 28 / 2023

FOUR INCHES FROM EACH CORNER EVENLY SPACED.



1625 DIPLOMAT DRIVE
 CARROLTON, TX 75006

PHONE (972) 247-7447
 FAX (972) 243-0940

SUBMITTED TO: _____
 COMPANY: _____
 JOB NAME: _____
 EQUIPMENT: _____
 NOTES: _____

FORM NO: CB-25A

DATE: 3/29/2021	REV: 2	DRAWN BY: ALL
-----------------	--------	---------------