

**FEATURES**

- Roof curb sides and ends are GS90 galvanized steel.
- Gasketing package provided.
- Heat treated wood nailer provided.
- Pitched curbs and taller curbs are available.

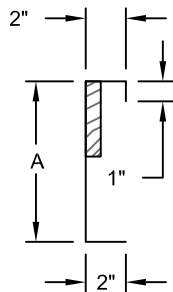
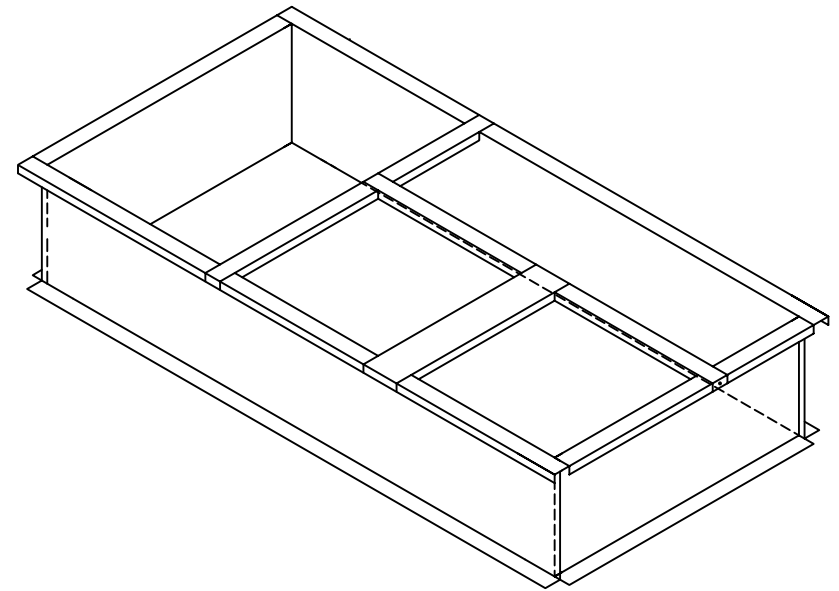
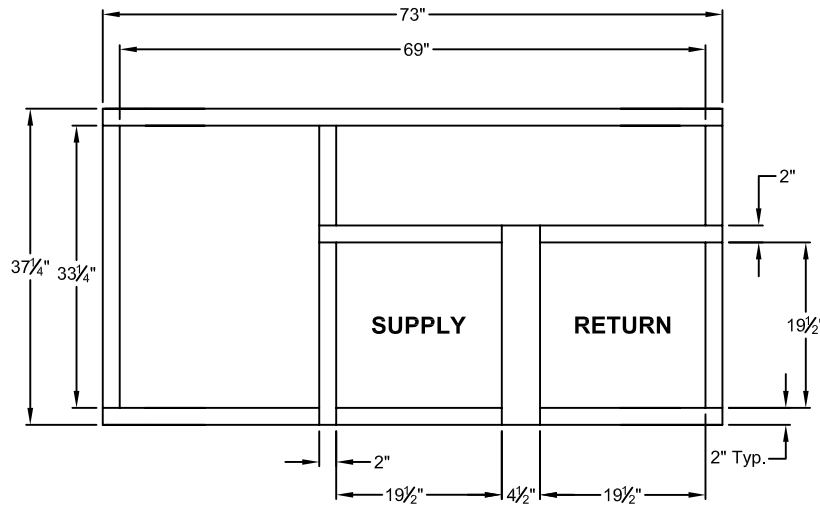
**NOTES**

- Attach ductwork to roof curb. Flanges of duct rest on top of curb. Support ductwork below the curb.

**WELDED ROOF CURBS FOR YORK UNITS**

**DM/DR/DCE/DCG/BP 036-072:  
ZJ/XP/DY/DJ/DH/DHE/DHG/BQ/BCH 036-060: DF 072**

ProVent P/N	A	WEIGHT
CBWSUN367208	8"	74 Lbs
CBWSUN367211	11"	80 Lbs
CBWSUN367214	14"	95 Lbs



CURB DETAIL



1392 E. PALOMAR ST., # 403-234  
CHULA VISTA, CA 91913  
PHONE (619) 498-9246  
FAX (619) 498-9247

SUBMITTED TO: \_\_\_\_\_  
COMPANY: \_\_\_\_\_  
JOB NAME: \_\_\_\_\_  
EQUIPMENT: \_\_\_\_\_  
NOTES: \_\_\_\_\_

FORM NO:  
CBW-102  
DATE:  
12/04/08

PART NUMBER:  
CBWSUN3672 SERIES  
DRAWN BY:  
COC