

**FEATURES**

- Roof curb sides and ends are 14 Ga. galvanized steel.
- Gasketing package provided.
- Heat treated wood nailer provided.
- Insulated sloped deck pans provided.
- Pitched curbs and taller curbs are available.

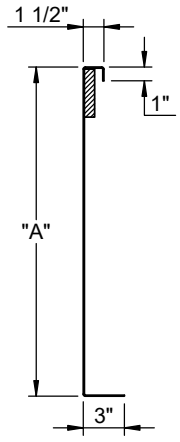
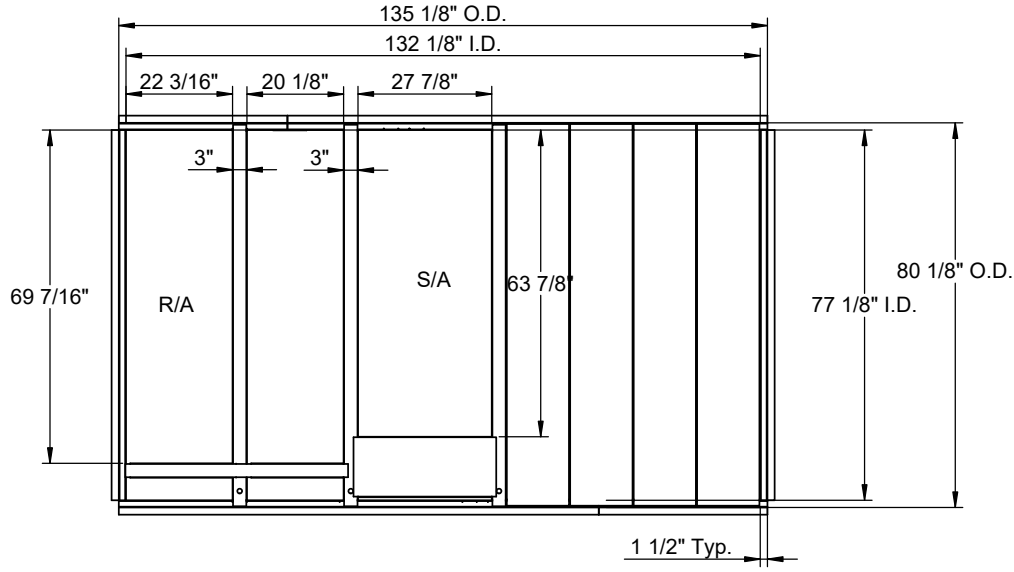
**Notes**

Attached ductwork to roof curb.  
Flanges of duct rest on top of curb.  
Support ductwork below the curb.

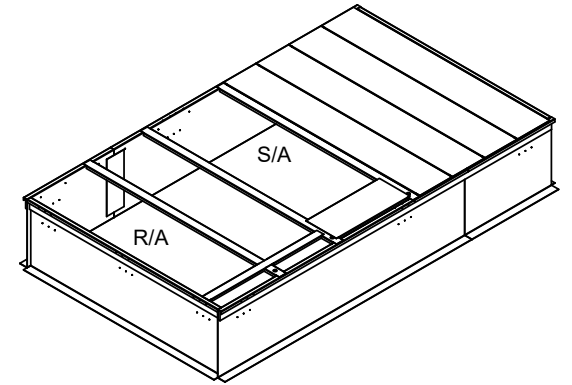
**WELDED ROOF CURBS FOR SUNCHOICE UNITS**

AV20-25, AD20-25, AE13-15, AW13-15, AH18-20, AL18-20, HV15-20

PROVENT P/N	A	EST. WEIGHT
CBWSAV202511	11"	268
CBWSAV202514	14"	303
CBWSAV202518	18"	343
CBWSAV202524	24"	397



**CURB DETAIL**



3847 WABASH DRIVE  
MIRA LOMA, CA 91725  
  
PHONE (951) 685-1101  
FAX (619) 872-9799

SUBMITTED TO: \_\_\_\_\_  
COMPANY: \_\_\_\_\_  
JOB NAME: \_\_\_\_\_  
EQUIPMENT: \_\_\_\_\_  
NOTES: \_\_\_\_\_

FORM NO: -  
  
DATE: 7/28/2023

PART NUMBER:  
CBWCSAV2025

REV: -  
  
DRAWN BY: FMM