

For wood, concrete, and steel attachments, see Roof Anchorage Detail, Form No. CB-60.

STRUCTURALLY CALCULATED WELDED ROOF CURBS FOR DIRECT FIT (SUN CORE) SMALL CABINET UNITS

PROVENT P/N	A	EST. WEIGHT
CBWCPRS08	8"	128 Lbs.
CBWCPRS11	11"	139 Lbs.
CBWCPRS14	14"	150 Lbs.
CBWCPRS24	24"	189 Lbs.

ZX04-07; XXA7, ZXA7
ZY, ZQ, XY, XQ, ZL04-06

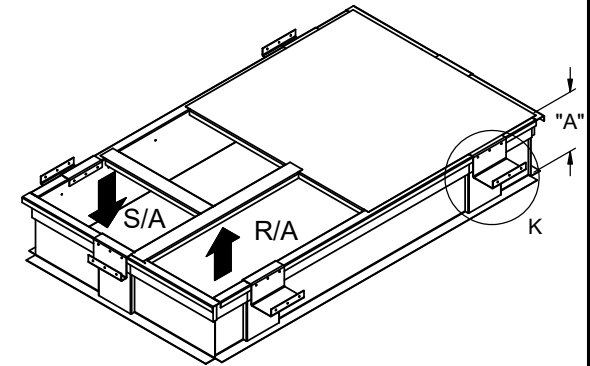
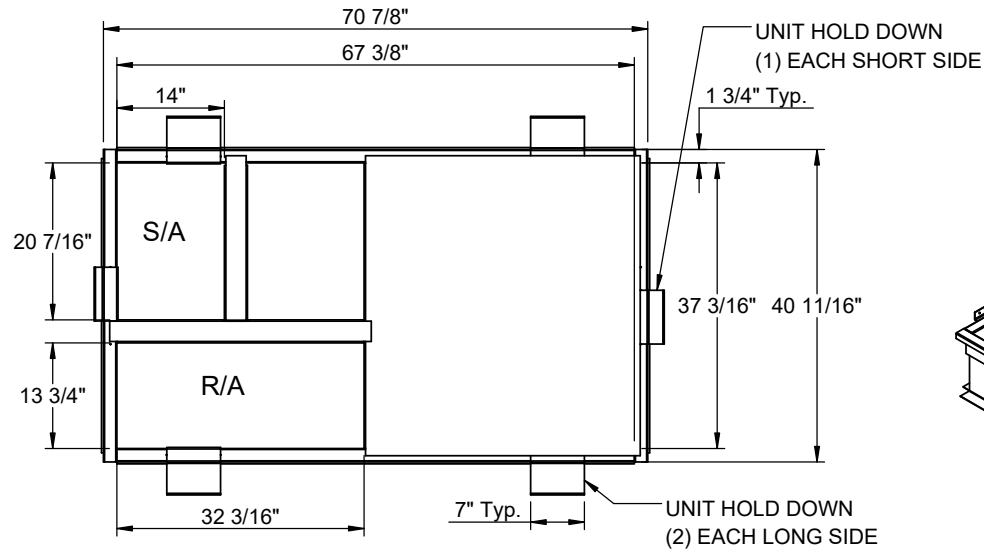
Meets seismic requirements for the following codes:
CBC 2022
IBC 2021

FEATURES

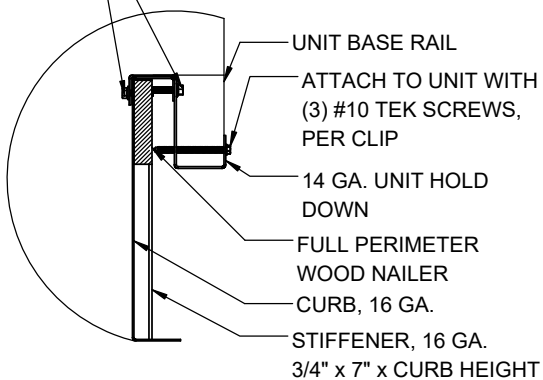
- Roof curb sides and ends are 16 Ga. galvanized steel.
- Gasketing package provided.
- Heat treated wood nailer provided.
- Insulated deck pans provided.
- Pitched curbs and taller curbs are available.

NOTES

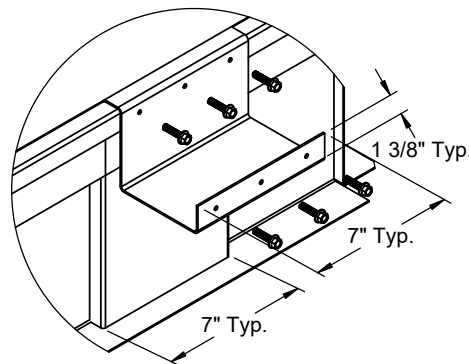
- Attach ductwork to roof curb. Flanges of duct rest on top of curb. Support ductwork below the curb.



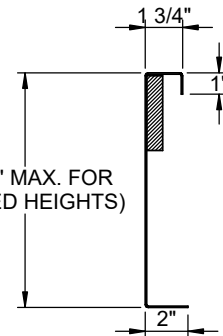
ATTACH TO CURB WITH (3) #10x 3/4" TEK SCREWS, EACH SIDE



HOLD DOWN DETAIL



DETAIL K



CURB DETAIL



3847 WABASH DR.
MIRA LOMA, CA 91752

PHONE (951) 685-1101
FAX (619) 872-9799

SUBMITTED TO: _____
COMPANY: _____
JOB NAME: _____
EQUIPMENT: _____
NOTES: _____

FORM NO:
CBWC-300

PART NUMBER:
CBWCPRS SERIES

DATE:
7/27/2023

REV:
10

DRAWN BY:
JG