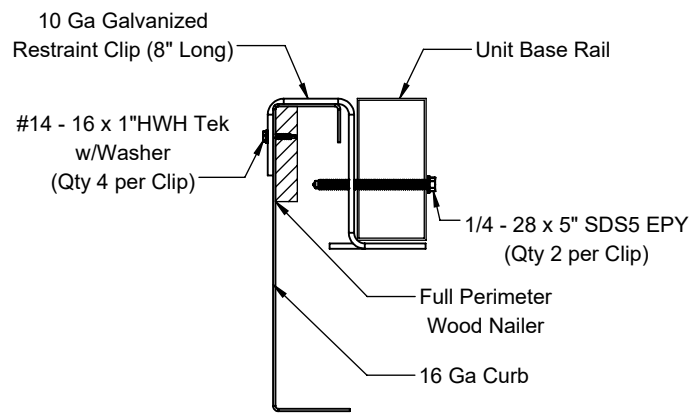
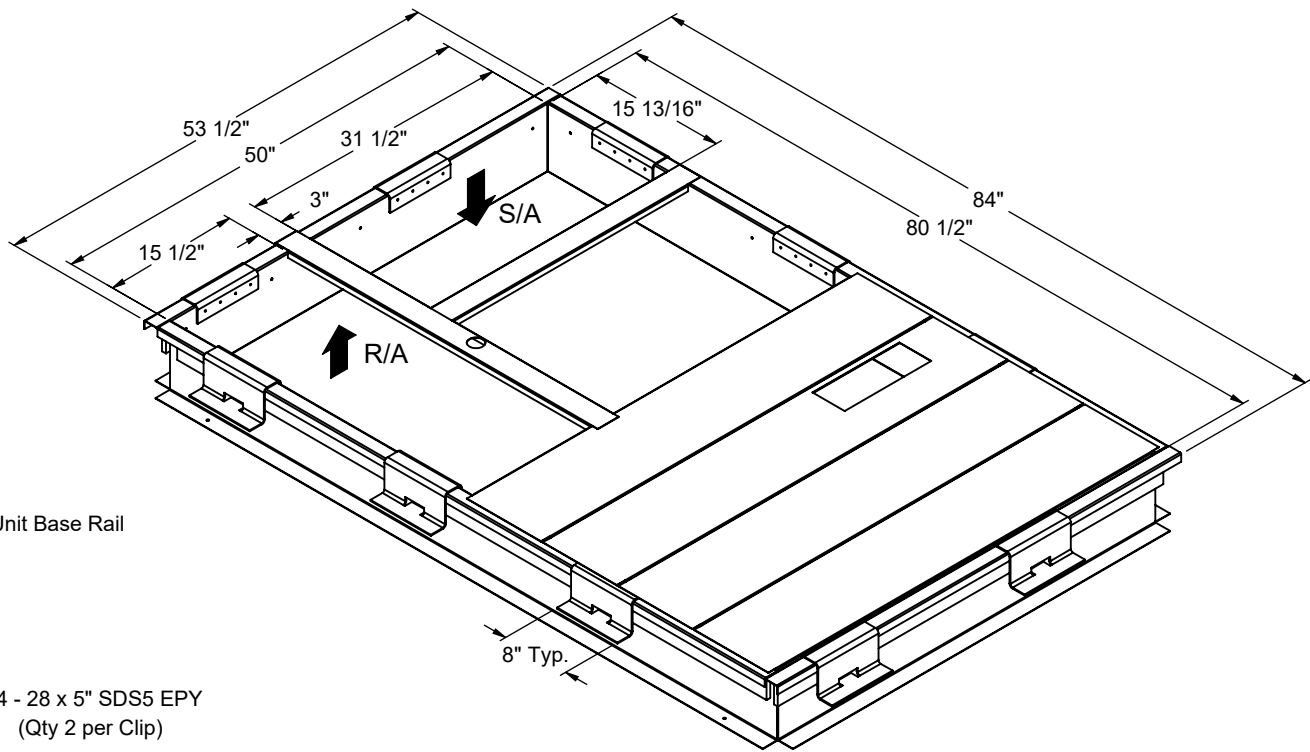



<b>FEATURES</b> <ul style="list-style-type: none"> <li>• Roof curb perimeter made of galvanized steel.</li> <li>• Gasketing package provided.</li> <li>• Heat treated wood nailer provided.</li> <li>• Insulated deck pans provided</li> <li>• Pitched and different height curbs are available.</li> <li>• OSHPD/HCAI file# OSP-0535</li> </ul>	<b>OSHPD/HCAI COMPLIANT ROOF CURB FOR YORK DIRECT FIT UNITS.</b>  ZX, 08-14; XX 08-12; XYA7, ZYA7 ZY 07-12; XY 07-09; ZL 08-14	PROVENT P/N	A	EST. WEIGHT
		CBWOPRL08	8"	145 Lbs.
	CBWOPRL14	14"	190 Lbs	
	CBWOPRL18	18"	205 Lbs.	
CBWOPRL24	24"	225 Lbs		

**NOTES**

- Attach ductwork to roof curb. Flanges of duct rest on top of the curb. Support ductwork below the curb.



**CROSS SECTION DETAIL**

	<b>3847 WABASH DRIVE MIRA LOMA, CA 91752</b>  <b>PHONE (951) 685-1101 FAX (619) 872-9799</b>	SUBMITTED TO: _____ COMPANY: _____ JOB NAME: _____ EQUIPMENT: _____ NOTES: _____		FORM NO: -	PART NUMBER: CBWOPRL
		DATE: 2/3/2022	REV: -	DRAWN BY: ALL	