

FEATURES

- Roof curb perimeter made of galvanized steel.
- Gasketing package provided.
- Heat treated wood nailer provided.
- Insulated deck pans provided
- Pitched and different height curbs are available.
- OSHPD/HCAI file# OSP-0535

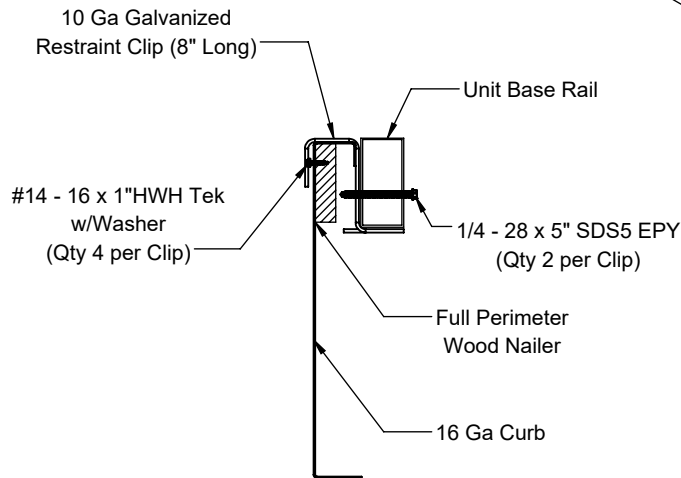
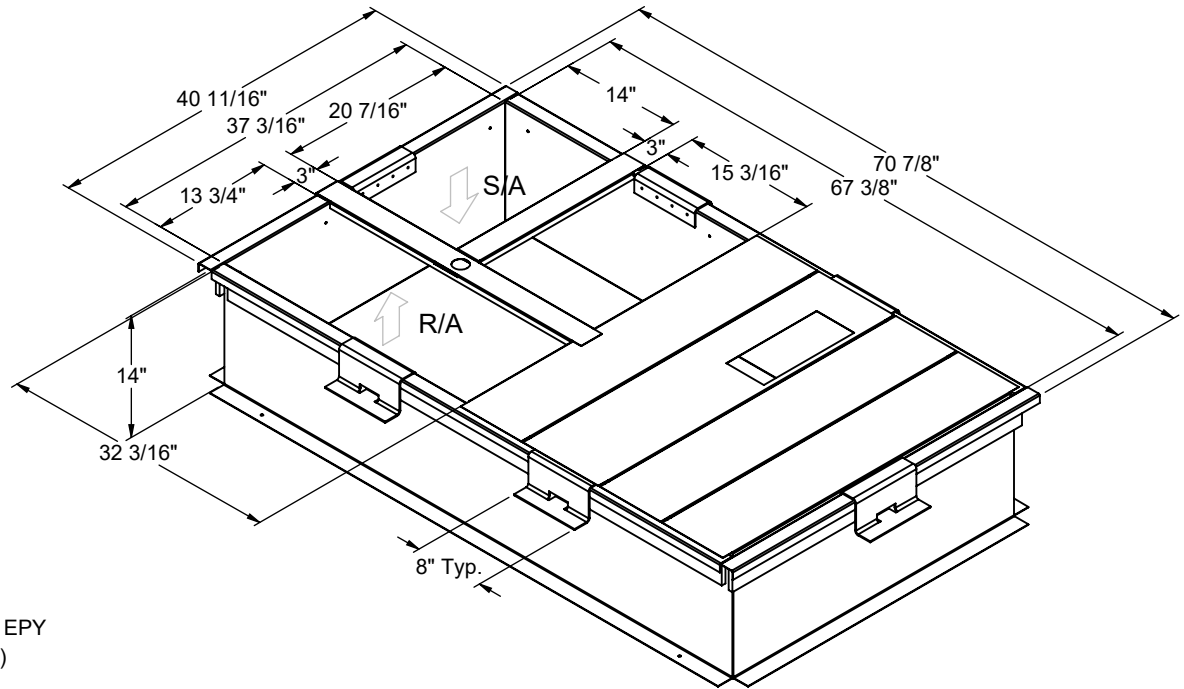
NOTES

- Attach ductwork to roof curb. Flanges of duct rest on top of the curb. Support ductwork below the curb.

OSHPD/HCAI COMPLIANT ROOF CURB FOR YORK DIRECT FIT UNITS.

ZX 04-07; XX A7
ZXA7, ZY, ZQ, XY, XQ, ZL 04-06

PROVENT P/N	A	EST. WEIGHT
CBWOPRS08	8"	97 Lbs.
CBWOPRS14	14"	122 Lbs
CBWOPRS18	18"	147 Lbs.
CBWOPRS24	24"	174 Lbs



CROSS SECTION DETAIL



3847 WABASH DRIVE
MIRA LOMA, CA 91752

PHONE (951) 685-1101
FAX (619) 872-9799

SUBMITTED TO: _____
COMPANY: _____
JOB NAME: _____
EQUIPMENT: _____
NOTES: _____

FORM NO: _____
-
DATE: 2/16/2022

PART NUMBER: CBWOPRS
REV: M1
DRAWN BY: CNG